

SpeedROC 2F

Surface drill rig for marble, granite, and limestone in the dimension stone industry.

Hole diameter: 28–45 mm (1.1–1.8")





High productivity all-in-one

SpeedROC 2F is a complete solution to meet our customers' needs for increased productivity and reduced costs in the dimension stone industry.

Reliable SpeedROC 2F is a productive drill rig for the dimension stone industry. It is highly productive thanks to its long reach and fast positioning. This versatile machine has a flexible drilling capacity and excellent tramping stability. It is the perfect choice for granite, marble and limestone quarries.

+ Main benefits

Fast drilling and positioning offers high productivity

360° carrier rotation and extensive boom reach means large coverage area

Outstanding terrainability and low fuel consumption means efficiency in operations

An on-shelf solution with productivity in mind

SpeedROC 2F is an on-shelf, CE-marked solution that assures fast and accurate drilling with well proven rock drills. This rotatable, radio remote controlled drill rig will live up to your expectations of safety and productivity.



+ Two is better than one

Ideal for the dimension stone industry quarries, the SpeedROC 2F is equipped with two well-proven hydraulic rock drills. It assures fast and intuitive positioning and high speed drilling, which provides an impressive boost in productivity. The 360° rotatable boom swing saves time in both positioning and tramming.



+ Up to the vertical challenge

The design of the SpeedROC 2F, a four-wheel drive rig, makes it a stable partner for fast, steady movement even in difficult terrains. It is suitable for vertical drilling. For even safer drilling, it is designed with four support legs that ensure the stability of the machine even when it is used to the maximum of its capacity.



+ Safer operations

The CE-market machine is a result of the cooperation between Epiroc and Doosan, which meets our customers' needs of reliability in the whole operation. The Radio Remote Control allows the operator to always work in safe conditions and the optional tramming feature gives the advantage of easier positioning and a better overview of operations. Depending on conditions and environmental rules, the dust collector or the water mist system ensures a better working environment.



A comprehensive service offering

Even the best equipment needs to be serviced regularly to make sure it sustains peak performance. An Epiroc service solution offers peace of mind, maximizing availability and performance throughout the lifetime of your equipment. We focus on safety, productivity and reliability.

By combining genuine parts and an Epiroc service from our certified technicians, we safeguard your productivity – wherever you are.

Technical specifications

Main Components

- 6 cylinder Doosan DL06 engine Tier 3A/Tier 4 Final
- Two hydraulic rock drills
- Two independent feed systems with rail bar
- Device for asynchronous approach to the ground of the feeds
- Dust Collection System

- Fast system steel retainer
- Full Radio Remote Control (drilling/boom movement/tramming)
- Four independent hydraulic stabilizer legs
- Electronic Control System (ECS)
- Protective Guard according to EN 16228

Hole range (recommended)

Available tophammer rock drill and hole range	Metric	US
DF 500X, DF530X	28–45 mm	1.1"–1.8"
Starter rod drill steel (hexagonal shape)	22 mm	0.9"
Length	3.2–4 m	10.5'–13.1'

Engine

	Power rating	Fuel consumption
Doosan DL06P Tier 4 Final	139 kW/186 hp (at 1 900 rpm)	11 l/h
Doosan DL 06 Tier 3A	120 kW/161 hp (at 2 000 rpm)	2.9 US gal/h

Hydraulic system

Axial pistons variable displacement main pumps x 2	120 cc
Gear pilot pump	14 cc

Electrical system

Voltage	24 V
Batteries	2x12 V 100 Ah
Alternator	80 A
Additional working lights on drilling unit	2x70 W
Rear camera for tramming	
Tramming lights	

Drilling unit

Oil heating system
Oil cooling system
Proportional control hydraulic valves

Volumes

	Metric	US
Hydraulic oil tank (Tier 3)	118 l	31.2 gal
Hydraulic oil tank (Tier 4)	128 l	33.8 gal
Hydraulic oil, total (Tier 3)	205 l	54.2 gal
Hydraulic oil, total (Tier 4)	207 l	54.7 gal
Compressor oil	6.5 l	1.7 gal
Diesel engine oil	27 l	7.1 gal
Diesel tank (Tier 3)	350 l	92.5 gal
Diesel tank (Tier 4)	292 l	77.1 gal

Selection of options

- Cameras
- Automatic drilling device

Carrier

	Metric	US
Tramming speed, max	9 km/h	5.6 mph
Ground clearance: Tier 3	350 mm	13.8"
Ground clearance: Tier 4	335 mm	13.2"
4WD		
Four hydraulic stabilizer legs		
Tramming angles downward/upward max	15°	Cannot be combined
Tramming angles laterally, max (left, right)	12°	

Feed

Chain feed, hydraulically driven	Metric	US
Feed extension	600 mm	23.6"
Feed force, max	6.5 kN	1461 lbf
Tractive pull, max	6.5 kN	1461 lbf
Total length	4 000–4 800 mm	157.5'–189.0'
Travel length	2 550–3 350 mm	100.4'–131.9'

Control system

Electronically controlled
Radio Remote Control (Tramming/boom movements/drilling)
Drilling low start concerning feed force and percussion
Automatic Drilling device
Advanced anti jamming device

Dust collector DCT 110D

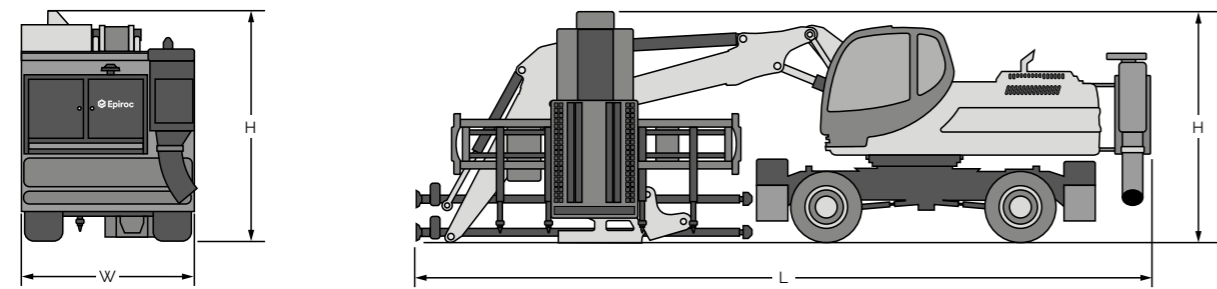
	Metric	US
Filtering area	11 m ²	1118 sq.ft
Suction capacity	200 l/s	424 cfm
Suction hose diameter	60–100 mm	2.4"–3.9"
Number of filters	11	
Auto-cleaning filters		

Compressor

Atlas Copco Ekomak IML 00602	Metric	US
Air flow	28.3 l/s	60 cfm
Maximum pressure	8 bar	116 psi

- Tramming by radio remote
- Protective Guard

Technical specifications

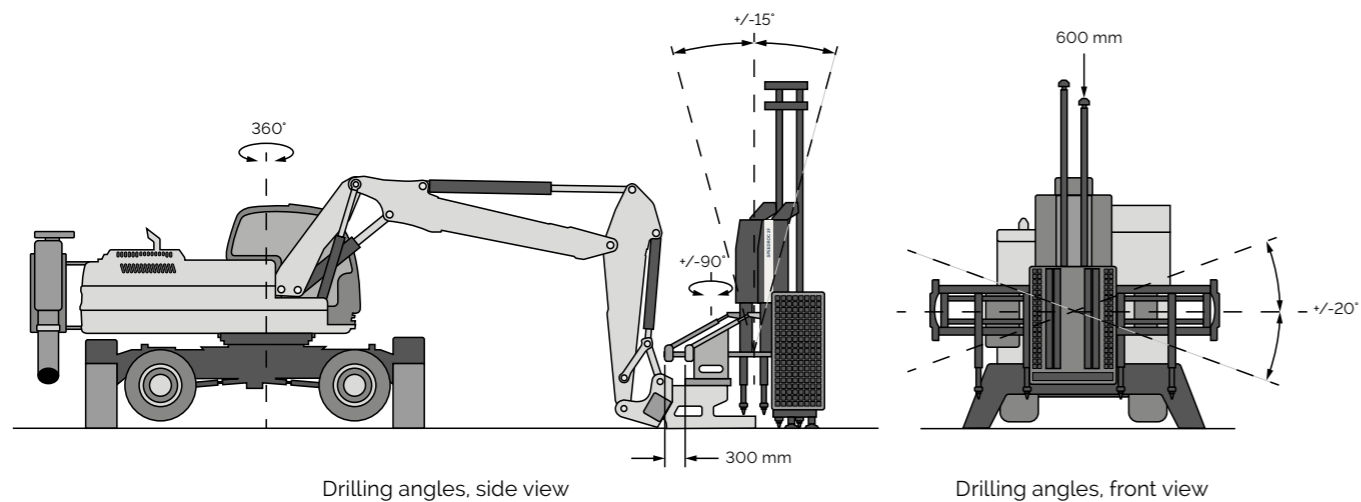


Height and length

	Metric	US
Height (H)	3 300 mm	129.9'
Length (L)	11 000 mm	433.1'
Width (W)	2 550 mm	100.4'

Weight

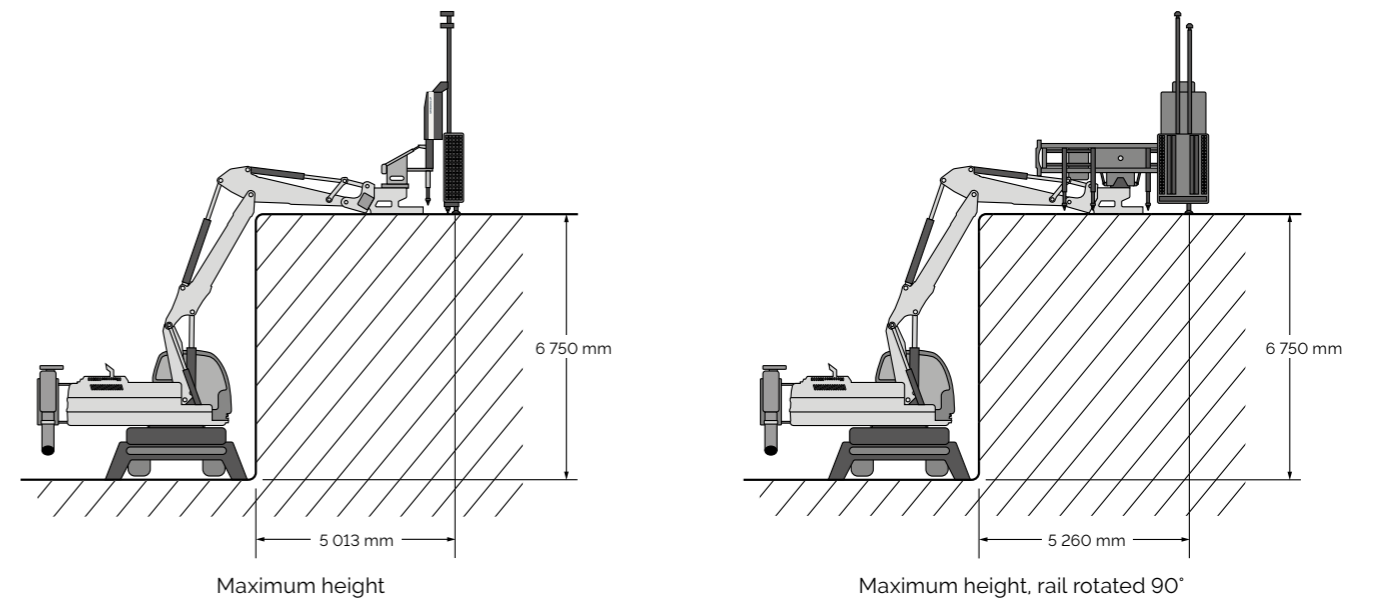
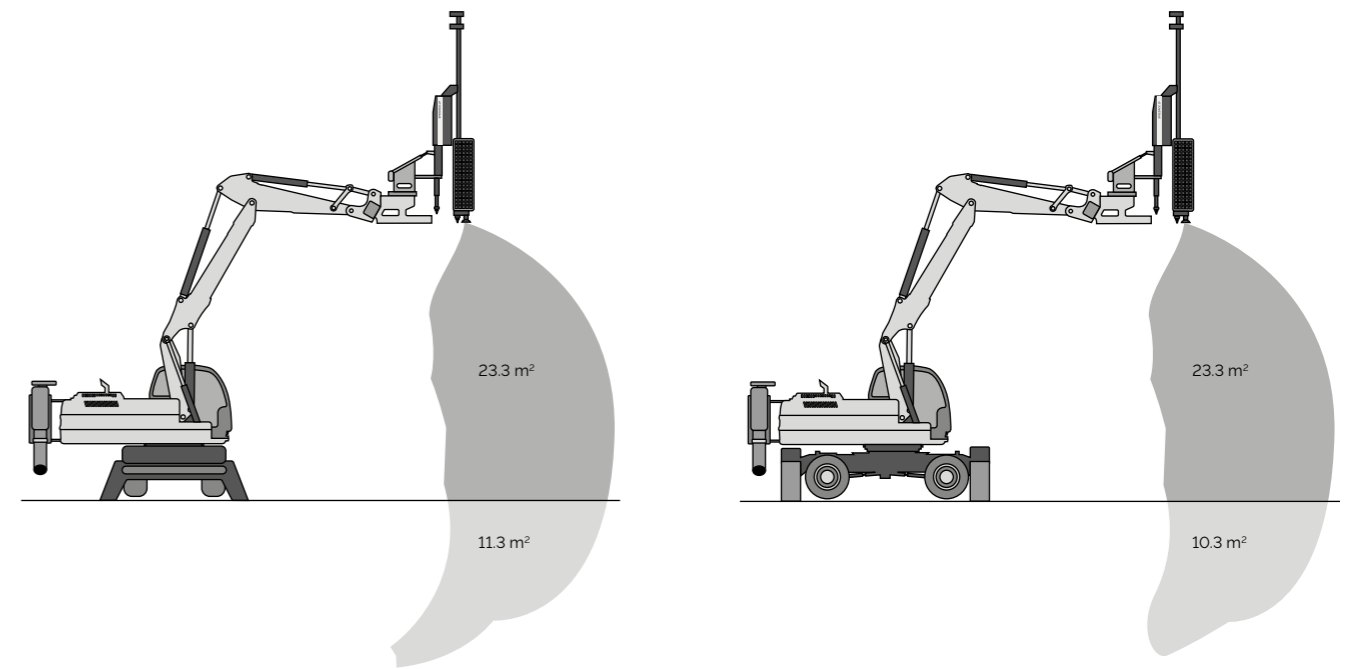
	Metric	US
Standard unit excluding all options and drill rod, Tier 3	25 000 kg	55 115 lb
Standard unit excluding all options and drill rod, Tier 4	26 100 kg	57 540 lb



Drilling angles, side view

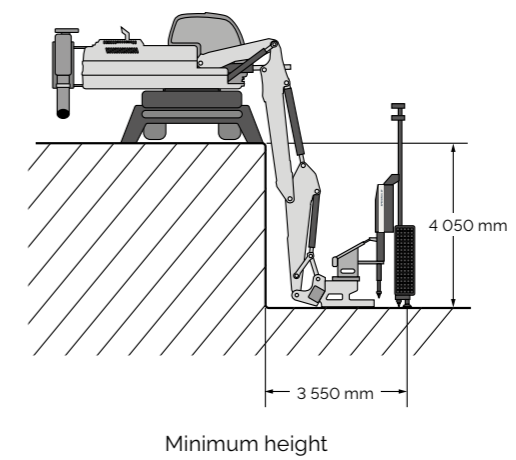
Drilling angles, front view

Technical specifications



Maximum height

Maximum height, rail rotated 90°



Minimum height

United in performance. Inspired by innovation.

Performance unites us, innovation inspires us, and commitment drives us to keep moving forward. Count on Epiroc to deliver the solutions you need to succeed today and the technology to lead tomorrow.
epiroc.com

