

Gate Valve

SICCA 900-3600 GTC

Class 900-3600
NPS 2-28 Inches

Type Series Booklet



Legal information/Copyright

Type Series Booklet SICCA 900-3600 GTC

All rights reserved. The contents provided herein must neither be distributed, copied, reproduced, edited or processed for any other purpose, nor otherwise transmitted, published or made available to a third party without the manufacturer's express written consent.

Subject to technical modification without prior notice.

© KSB Aktiengesellschaft, Frankenthal 13/12/2017

Contents

Gate Valves.....	4
Gate Valves with Pressure Seal Bonnet to ANSI/ASME	4
SICCA 900-3600 GTC.....	4
Main applications.....	4
Fluids handled	4
Operating data.....	4
Body materials.....	4
Design details	4
Product benefits.....	5
Related documents	5
Purchase order specifications	5
Pressure/temperature ratings.....	5
Materials.....	8
Dimensions and weights.....	10

Gate Valves

Gate Valves with Pressure Seal Bonnet to ANSI/ASME

SICCA 900-3600 GTC



Main applications

- Boiler feed applications
- Fossil-fuelled power stations
- Petrochemical industry
- Pipelines and tank farms
- Refineries
- Process engineering

Fluids handled

- Steam
- Fluids containing gas
- Gas
- High-temperature hot water
- Feed water

Operating data

Operating properties

Characteristic	Value
Nominal pressure	Class 900 - 3600
Nominal size [inch]	NPS 2 - 28
Max. permissible pressure [bar]	620
Max. permissible pressure [psi]	9000
Min. permissible temperature [°C]	≥ 0
Max. permissible temperature [°C]	≤ +650
Min. permissible temperature [°F]	≥ 0
Max. permissible temperature [°F]	≤ +1200

Selection as per pressure/temperature ratings (⇒ Page 5)

Body materials

Overview of available materials

Material	Temperature limit	
	[°C]	[°F]
ASTM A216 WCB	≤ 425	≤ 800
ASTM A216 WCC	≤ 425	≤ 800
ASTM A217 WC6	≤ 593	≤ 1100
ASTM A217 WC9	≤ 593	≤ 1100
ASTM A217 C12A	≤ 650	≤ 1200

Design details

Design

- Gate valve to ASME B16.34
- Cast steel body
- Seat/disc interface made of wear-resistant and corrosion-proof Stellite
- Pressure seal design
- Outside screw
- Outside yoke
- Non-rotating stem
- Rising stem
- Non-rising handwheel
- Split wedge
- Reduced bore
- Internally balanced wedge
- Internal pressure relief arrangement
- Butt weld ends
- "Special Class" version
- The valves satisfy the safety requirements of Annex I of the European Pressure Equipment Directive 2014/68/EU (PED) for fluids in Groups 1 and 2.
Only for Standard Class
- The valves meet the requirements of the Indian Boiler Regulations 1950.

Variants

- Position indicator
- Locking device
- Bypass
- Stem protecting tube
- Actuator can be retrofitted directly after handwheel has been removed.
- Electric actuators
- Gearboxes
- Limit switches
- Drain plug
- Drain branch
- Full bore
- Parallel slide double disc gate
- Other pressure relief arrangement

Product benefits

- Long service life and high functional reliability
 - Two-piece self-aligning gland follower ensures even compression of packing rings.
 - Inconel-reinforced braided packing end rings offer smooth wiping action and prevent extrusion of graphite.
 - Stellite 6 hard-faced body seat ensures high wear resistance.
 - Burnished stem and smooth stuffing box surfaces extend the service life of the gland packing.
 - Low actuating torque due to rolling element bearing.
 - Stop nut prevents jamming of the wedge assembly in the seat.
- Additional features ensure safe sealing to atmosphere:
 - Additional safety and blow-out protection by standard back seat.
 - Die-formed endless graphite packing rings reliably seal the stem passage.
- Reliable, tight shut-off
 - Perfect contact at seat/wedge interface ensures tight shut-off.
 - Self-aligning split wedge ensures tight shut-off.
 - Streamlined flow path minimises pressure losses.
- Tie rods replacing traditional yoke ensures easy assembly and maintenance (only for Class 3100 and 3600)

Related documents

Information/documents

Document	Reference number
Type series booklet	7244.1
SICCA 150-600 GTC	
Operating manual	0500.80

Purchase order specifications

Please specify the following information in all enquiries or purchase orders:

1. Type
2. Class
3. Nominal size
4. Design pressure
5. Design temperature
6. Operating pressure
7. Operating temperature
8. Differential pressure
9. Material
10. Fluid handled
11. Flow rate
12. Pipe connection
13. Pipe schedule
14. Variants
15. Reference number

Always indicate the original serial number and the year of construction when ordering spare parts.

Pressure/temperature ratings

Permissible operating pressures [bar] (to ASME B16.34 Standard Class)

Class	Material	[°C]																	
		-29 to +38	93	149	204	260	316	343	371	399	427	454	482	510	538	566	593	621	649
900	A216 WCB ¹⁾	153	140	136	131	125	118	114	110	105	85	66	48	28	18	-	-	-	-
1500		256	234	226	219	208	196	189	184	175	142	110	79	47	30	-	-	-	-
2500		425	390	376	364	347	326	315	305	292	237	183	132	79	49	-	-	-	-
3100		528	482	466	453	433	400	388	376	359	297	238	180	121	61	-	-	-	-
3600		613	559	541	523	503	465	451	437	417	345	276	209	141	71	-	-	-	-
900	A216 WCC	155	155	151	146	139	124	120	114	104	86	69	51	35	18	-	-	-	-
1500		259	258	251	243	232	207	200	189	174	144	115	85	58	30	-	-	-	-
2500		431	429	418	405	386	344	334	315	289	240	192	142	97	49	-	-	-	-
3100		534	533	519	503	479	427	414	391	359	297	238	177	120	61	-	-	-	-
3600		621	618	602	584	556	496	480	454	417	345	276	205	139	71	-	-	-	-
900	A217 WC6 ²⁾³⁾	155	155	149	143	138	125	122	118	110	105	101	93	66	45	30	20	13	9
1500		259	259	249	239	229	209	203	196	183	175	168	155	110	75	50	33	22	14
2500		431	431	415	398	382	348	338	326	305	292	280	258	183	124	83	55	38	24
3100		534	532	514	496	479	427	416	401	378	362	349	327	266	154	-	-	-	-
3600		621	618	597	576	556	496	483	465	439	420	406	380	309	179	-	-	-	-
900	A217 WC9 ²⁾³⁾	155	155	151	146	138	125	122	118	110	105	101	93	80	55	36	23	14	9
1500		259	259	251	243	229	209	203	196	183	175	168	155	133	92	60	38	24	14
2500		431	431	419	405	382	348	338	326	305	292	280	258	222	154	100	63	39	24
3100		534	533	519	503	479	427	416	401	378	362	349	327	291	191	-	-	-	-
3600		621	618	602	584	556	496	483	465	439	420	406	380	338	221	-	-	-	-
900	A217 C12A	155	155	151	146	138	125	122	118	110	105	101	93	80	75	75	62	46	30

1) Permissible but not recommended for prolonged use above 427 °C (800 °F).
 2) Use normalised and tempered materials only.
 3) Cannot be used for temperatures above 593 °C (1100 °F).

Class	Material	[°C]																	
		-29 to +38	93	149	204	260	316	343	371	399	427	454	482	510	538	566	593	621	649
1500	A217 C12A	259	259	251	243	229	209	203	196	183	175	168	155	133	126	124	104	77	50
2500		430	431	419	405	382	348	338	326	305	292	280	258	222	209	207	173	128	83
3100		534	533	519	503	479	427	416	401	378	362	349	327	291	259	-	-	-	-
3600		621	618	602	584	556	496	483	465	439	420	406	380	338	301	-	-	-	-

Permissible operating pressures [bar] (to ASME B16.34 Special Class)

Class	Material	[°C]																	
		-29 to +38	93	149	204	260	316	343	371	399	427	454	482	510	538	566	593	621	649
900	A216 WCB ¹⁾	155	155	153	152	152	152	148	143	131	107	82	59	35	22	-	-	-	-
1500		259	259	255	253	253	253	247	238	218	177	138	99	59	37	-	-	-	-
2500		430	431	425	421	421	421	411	397	364	295	229	165	99	62	-	-	-	-
3100		534	534	527	523	522	518	505	487	449	372	297	225	152	76	-	-	-	-
3600		621	621	613	606	606	606	592	572	525	426	330	238	142	89	-	-	-	-
900	A216 WCC	155	155	155	155	155	155	153	145	130	108	87	54	43	22	-	-	-	-
1500		259	259	259	259	259	259	256	242	217	180	144	107	72	37	-	-	-	-
2500		431	431	431	431	431	431	426	403	362	300	240	178	121	62	-	-	-	-
3100		534	534	534	534	534	534	528	500	489	372	297	221	150	76	-	-	-	-
3600		621	621	621	621	621	621	613	581	521	431	345	256	174	89	-	-	-	-
900	A217 WC6 ²⁾³⁾	155	155	155	155	155	155	155	152	151	149	140	121	82	56	37	25	17	11
1500		259	259	259	259	259	259	259	253	251	248	233	202	138	93	62	41	28	18
2500		431	431	431	431	431	431	431	421	419	414	389	338	229	155	103	69	47	30
3100		534	534	534	534	534	534	531	522	519	513	588	442	332	192	-	-	-	-
3600		621	621	621	621	621	621	617	606	603	596	566	513	386	223	-	-	-	-
900	A217 WC9 ²⁾³⁾	155	155	153	151	150	149	148	146	146	146	140	124	98	69	45	28	18	11
1500		259	259	255	251	250	249	247	244	244	244	233	207	163	115	76	47	30	18
2500		431	431	425	418	416	414	411	406	406	406	389	345	271	192	126	79	49	30
3100		534	533	527	519	516	513	508	504	504	504	488	442	369	238	-	-	-	-
3600		621	620	611	603	600	595	591	585	585	585	566	513	428	277	-	-	-	-
900	A217 C12A	155	155	155	156	155	155	155	152	151	149	140	124	98	87	87	78	58	37
1500		259	259	259	259	259	259	259	253	251	248	233	207	163	145	145	130	96	62
2500		431	431	431	431	431	431	431	421	419	414	389	345	271	242	242	217	160	103
3100		534	534	534	534	534	534	531	522	519	513	488	442	369	300	-	-	-	-
3600		621	621	621	621	621	621	617	606	603	596	566	513	428	348	-	-	-	-

Permissible operating pressures [psi] (to ASME B16.34 Standard Class)

Class	Material	[°F]																	
		-20 to +100	200	300	400	500	600	650	700	750	800	850	900	950	1000	1050	1100	1150	1200
900	A216 WCB ¹⁾	2222	2035	1965	1900	1810	1705	1650	1590	1520	1235	955	690	410	255	-	-	-	-
1500		3705	3395	3270	3170	3015	2840	2745	2665	2535	2055	1595	1150	685	430	-	-	-	-
2500		6170	5655	5450	5280	5025	4730	4575	4425	4230	3430	2655	1915	1145	715	-	-	-	-
3100		7653	6984	6755	6564	6286	5802	5630	5451	5203	4311	3448	2613	1761	885	-	-	-	-
3600		8887	8110	7845	7623	7300	6738	6538	6330	6043	5007	4004	3034	2045	1028	-	-	-	-
900	A216 WCC	2250	2242	2183	2115	2016	1799	1742	1646	1511	1252	1001	744	503	257	-	-	-	-
1500		3751	3736	3638	3527	3362	2997	2902	2744	2518	2086	1668	1239	840	428	-	-	-	-
2500		6250	6228	6064	5880	5601	4994	4837	4573	4196	3477	2780	2065	1400	714	-	-	-	-
3100		7750	7723	7520	7291	6944	6192	5998	5670	5203	4311	3448	2561	1736	885	-	-	-	-
3600		9000	8969	8732	8467	8063	7190	6965	6585	6043	5007	4004	2974	2015	1028	-	-	-	-
900	A217 WC6 ²⁾³⁾	2250	2250	2165	2080	1995	1815	1765	1705	1595	1525	1460	1350	955	650	430	290	195	125
1500		3750	3750	3610	3465	3325	3025	2940	2840	2660	2540	2435	2245	1595	1080	720	480	325	205
2500		6250	6250	6015	5775	5540	5040	4905	4730	4430	4230	4060	3745	2665	1800	1200	800	545	345
3100		7750	7715	7455	7187	6944	6192	6029	5813	5482	5244	5067	4745	3856	2232	-	-	-	-
3600		9000	8960	8658	8347	8063	7190	7001	6751	6365	6089	5884	5510	4478	2592	-	-	-	-
900	A217 WC9 ²⁾³⁾	2250	2250	2185	2115	1995	1815	1765	1705	1595	1525	1460	1350	1160	800	525	330	205	125
1500		3750	3750	3640	3530	3325	3025	2940	2840	2660	2540	2435	2245	1930	1335	875	550	345	205
2500		6250	6250	6070	5880	5540	5040	4905	4730	4430	4230	4060	3745	3220	2230	1454	915	570	345
3100		7750	7723	7521	7291	6944	6192	6029	5813	5482	5244	5067	4745	4226	2764	-	-	-	-
3600		9000	8969	8735	8468	8063	7190	7001	6751	6365	6089	5884	5510	4908	3210	-	-	-	-
900	A217 C12A	2250	2250	2185	2115	1995	1815	1765	1705	1595	1525	1460	1350	1160	1090	1080	905	670	430

Class	Material	[°F]																	
		-20 to +100	200	300	400	500	600	650	700	750	800	850	900	950	1000	1050	1100	1150	1200
1500	A217 C12A	3750	3750	3640	3530	3325	3025	2940	2840	2660	2540	2435	2245	1930	1820	1800	1510	1115	720
2500		6250	6250	6070	5880	5540	5040	4905	4730	4430	4230	4060	3745	3220	3030	3000	2515	1855	1200
3100		7750	7723	7521	7291	6944	6192	6029	5813	5482	5244	5067	4745	4226	3756	-	-	-	-
3600		9000	8969	8735	8468	8063	7190	701	6751	6365	6089	5884	5510	4908	4361	-	-	-	-

Permissible operating pressures [psi] (to ASME B16.34 Special Class)

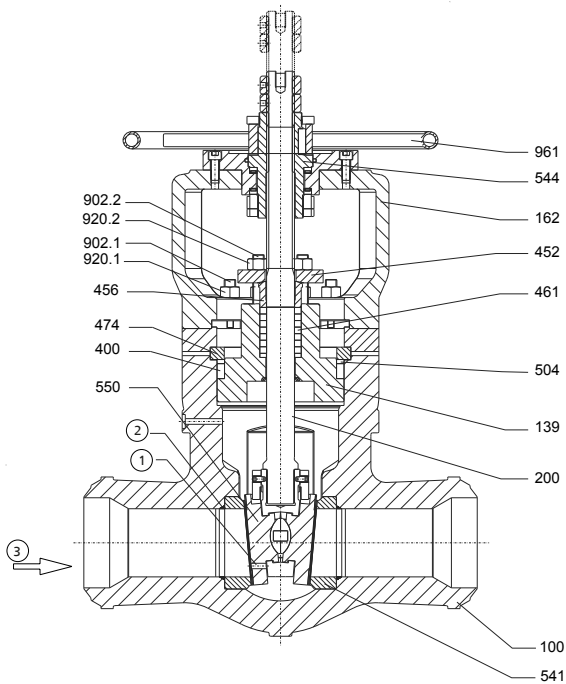
Class	Material	[°F]																	
		-20 to +100	200	300	400	500	600	650	700	750	800	850	900	950	1000	1050	1100	1150	1200
900	A216 WCB ¹⁾	2250	2250	2220	2200	2200	2200	2145	2075	1905	1545	1195	860	515	320	-	-	-	-
1500		3750	3750	3700	3665	3665	3665	3575	3455	3170	2570	1995	1435	855	535	-	-	-	-
2500		6250	6250	6170	6105	6105	6105	5960	5760	5285	4285	3320	2395	1430	895	-	-	-	-
3100		7750	7739	7649	7579	7573	7511	7331	7059	6505	5388	4310	3266	2202	1108	-	-	-	-
3600		9000	9000	8884	8795	8795	8795	8584	8293	7612	6172	4783	3446	2057	1286	-	-	-	-
900	A216 WCC	2250	2250	2250	2250	2250	2223	2105	1888	1565	1252	785	630	322	-	-	-	-	
1500		3751	3751	3751	3751	3751	3751	3706	3509	3147	2608	2086	1549	1050	535	-	-	-	
2500		6250	6250	6250	6250	6250	6250	6176	5847	5246	4345	3475	2582	1751	893	-	-	-	
3100		7750	7750	7750	7750	7750	7750	7658	7250	6505	5388	4310	3201	2171	1108	-	-	-	
3600		9000	9000	9000	9000	9000	9000	8893	8419	7554	6257	5005	3718	2520	1286	-	-	-	
900	A217 WC6 ²⁾³⁾	2250	2250	2250	2250	2250	2250	2200	2185	2160	2030	1760	1195	810	540	360	245	155	
1500		3750	3750	3750	3750	3750	3750	3665	3645	3600	3385	2935	1995	1350	900	600	405	255	
2500		6250	6250	6250	6250	6250	6250	6110	6070	6000	5645	4895	3320	2250	1500	1000	680	430	
3100		7750	7750	7750	7750	7750	7750	7708	7569	7524	7440	7070	6408	4820	2790	-	-	-	
3600		9000	9000	9000	9000	9000	9000	8951	8789	8738	8640	8210	7441	5597	3240	-	-	-	
900	A217 WC9 ²⁾³⁾	2250	2250	2220	2185	2175	2165	2145	2120	2120	2120	2030	1800	1415	1005	655	410	255	155
1500		3750	3750	3695	3640	3620	3605	3580	3535	3535	3535	3385	3000	2360	1670	1095	685	430	255
2500		6250	6250	6160	6065	6035	6010	5965	5895	5895	5895	5645	5000	3930	2785	1820	1145	715	430
3100		7750	7737	7636	7527	7491	7433	7374	7307	7307	7307	7070	6408	5350	3455	-	-	-	
3600		9000	8984	8868	8741	8699	8632	8564	8485	8485	8210	7441	6213	6213	4012	-	-	-	
900	A217 C12A	2250	2250	2250	2250	2250	2250	2200	2185	2160	2030	1800	1415	1260	1260	1130	835	540	
1500		3750	3750	3750	3750	3750	3750	3665	3645	3600	3385	3000	2360	2105	2105	1885	1395	900	
2500		6250	6250	6250	6250	6250	6250	6110	6070	6000	5645	5000	3930	3505	3505	3145	2320	1500	
3100		7750	7750	7750	7750	7750	7750	7708	7569	7524	7440	7070	6408	5350	4347	-	-	-	
3600		9000	9000	9000	9000	9000	9000	8951	8789	8738	8640	8210	7441	6213	5048	-	-	-	

Test pressure

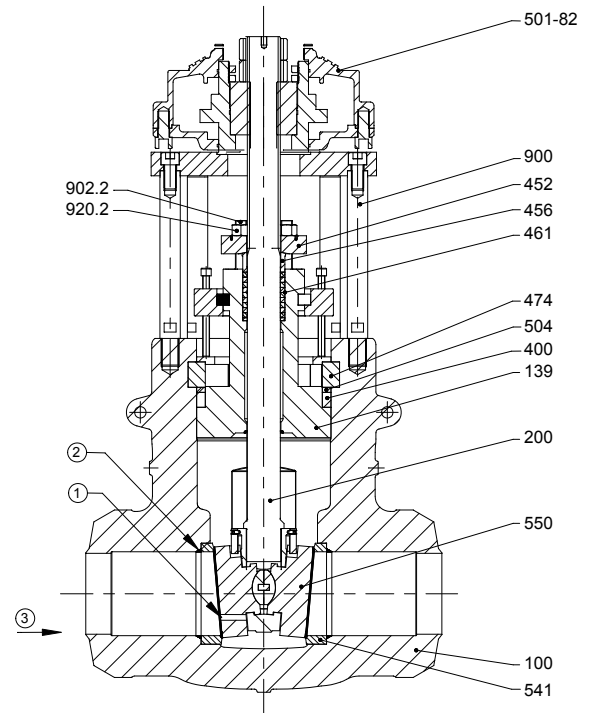
Test	Test medium	Class 900	Class 1500	Class 2500	Class 3100	Class 3600
		[bar]	[bar]	[bar]	[bar]	[bar]
Shell	Water	233	388	647	802	931
Back seat		171	285	474	588	683
Leak test (seat)	Air	4 to 7	4 to 7	4 to 7	4 to 7	4 to 7

Materials

SICCA 900-2500 GTC



SICCA 3100-3600 GTC



- ① Pressure balancing hole
- ② Seal-welded
- ③ Flow direction

Parts list

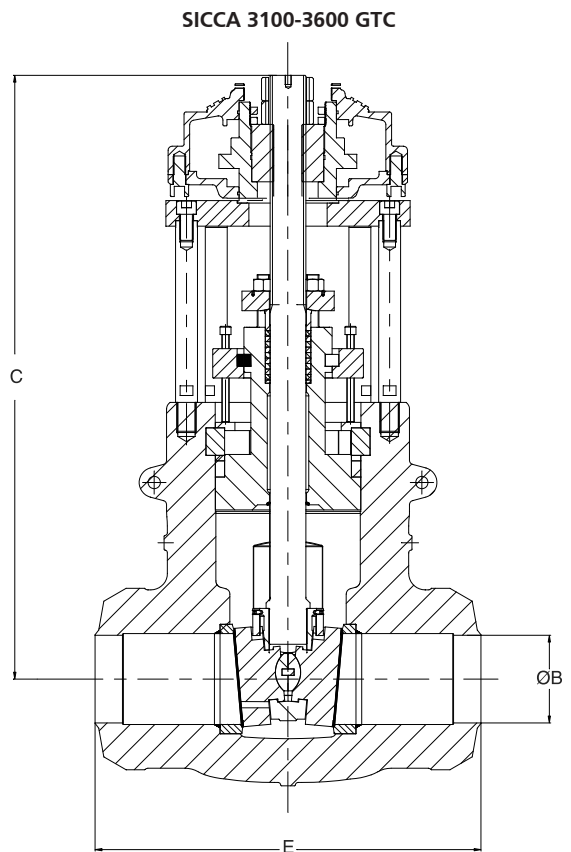
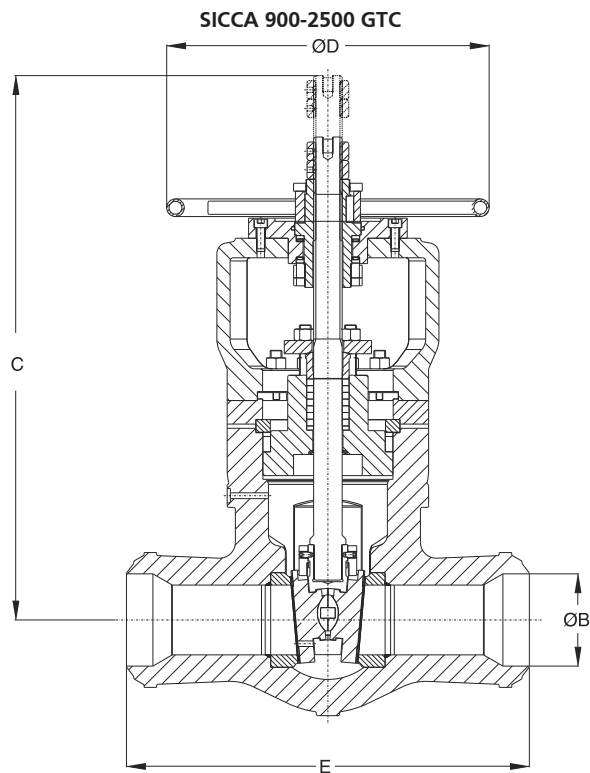
Part No.	Description	Class	Material	Note
100	Body	900 / 1500 / 2500 / 3100 / 3600	A216 WCB A216 WCC A217 C12A A217 WC6 A217 WC9	
139	Bonnet ⁴⁾	900 / 1500 / 2500 / 3100 / 3600	A216 WCB+ST6 / A105+ST6 A216 WCC ST6 / A182 F11+ST6 A217 WC6+ST6 / A182 F11+ST6 A217 WC9+ST6 / A182 F22+ST6 A217 C12A+ST6 / A182 F91+ST6	Integral ST6 hard-faced back seat
162	Yoke	900 / 1500 / 2500	A216 WCB A216 WCC A217 WC9	
200	Stem	900 / 1500 / 2500 / 3100 / 3600 900 / 1500 / 2500 3100 / 3600	A479 410-2 A479 XM19-A 1.4980	
400	Gasket	900 / 1500 / 2500 / 3100 / 3600	Graphite	
452	Gland flange	900 / 1500 / 2500 / 3100 / 3600	A182 F22 CL3 / A105 Carbon steel	
456	Gland bush	900 / 1500 / 2500 / 3100 / 3600	A276 410-A	
461	Gland packing	900 / 1500 / 2500 / 3100 / 3600	Graphite	

4) Forged up to 8 inches with reduced bore

Part No.	Description	Class	Material	Note
474	Thrust ring	900 / 1500 / 2500 / 3100 / 3600	A336 F91	
501-82	Gearbox/Actuator	3100 / 3600	Manufacturer's standard	
504	Spacer ring	900 / 1500 / 2500 / 3100 / 3600	A182 F22 CL3	
541	Seat ring	900 / 1500 / 2500 / 3100 / 3600	A105+ST6	
			A182 F11+ST6	
			A182 F22+ST6	
			A182 F91+ST6	
544	Threaded bush	900 / 1500 / 2500	Aluminium bronze	
550	Wedge ⁵⁾	900 / 1500 / 2500 / 3100 / 3600	A216 WCB+ST6 / A105+ST6	
			A216 WCC+ST6 / A182 F11+ST6	
			A217 WC6+ST6 / A182 F11+ST6	
			A217 WC9+ST6 / A182 F22+ST6	
			A182 F91+ST6 / A217 C12A+ST6	
900	Tie rod	3100 / 3600	AISI 4340	
902.1	Stud	900 / 1500 / 2500 / 3100 / 3600	A193 B7	
			A193 B16	
902.2	Stud	900 / 1500 / 2500 / 3100 / 3600	A193 B7	
			A193 B16	
920.1	Nut	900 / 1500 / 2500 / 3100 / 3600	A194 2H	
			A194 4/7	
920.2	Nut	900 / 1500 / 2500 / 3100 / 3600	A194 2H	
			A194 4/7	
961	Handwheel	900 / 1500 / 2500	Carbon steel	

5) Forged up to 10 inches with reduced bore

Dimensions and weights



Dimensions and weights

Class	NPS	ØB ⁶⁾	C ⁷⁾⁸⁾	ØD	E	[kg] ⁸⁾
	[inch]	[mm]	[mm]	[mm]	[mm]	
900 RB ⁹⁾	3	73,5	555	254	216	40
	4	92,0	645	356	305	80
	5	116,0	745	457	356	110
	6	139,5	725	457	356	110
	8	182,5	885	610	508	170
	10	230,0	1045	610	660	285
	12	273,0	1295	610	787	470
900 FB ¹⁰⁾	2	49,5	555	254	216	40
	3	73,5	645	356	305	80
	4	92,0	725	457	356	110
	6	139,5	885	610	508	175
	8	182,5	1045	610	660	275
	10	230,0	1295	610	787	460
1500 RB ⁹⁾	3	66,5	555	254	216	45
	4	87,5	655	356	305	80
	5	109,5	730	457	406	135
	6	131,5	730	457	406	135
	8	173,0	890	610	559	375
	10	216,0	1065	610	711	415
	12	257,0	1305	610	864	730
	14	284,0	1505	11)	991	1080

- 6) Class 900: Schedule 80 up to 3 inches. Schedule 120 from 4 inches. Class 1500: Schedule 160. Class 2500: Schedule XXS up to 6 inches. Schedule 160 from 8 inches. Alternative schedules on request.
- 7) Open
- 8) Approximate values
- 9) Reduced bore
- 10) Full bore
- 11) Gearbox mandatory

Class	NPS	ØB ⁶⁾	C ⁷⁾⁸⁾	ØD	E	[kg] ⁸⁾
	[inch]	[mm]	[mm]	[mm]	[mm]	
1500 RB ⁹⁾	16	325,5	1635	¹¹⁾	1067	1445
	18	366,5	1830	¹¹⁾	1194	1925
	20	408,0	2030	¹¹⁾	1346	2665
	24	490,5	2210	¹¹⁾	1473	3625
1500 FB ¹⁰⁾	2	43	555	254	216	45
	3	66,5	655	356	305	80
	4	87,5	730	457	406	125
	6	131,5	985	610	559	250
	8	173	1050	610	711	380
	10	216	1305	610	864	665
	12	257	1505	¹¹⁾	991	1005
	14	284	1635	¹¹⁾	1067	1370
	16	325,5	1820	¹¹⁾	1194	1845
	18	366,5	2030	¹¹⁾	1346	2535
	20	408	2210	¹¹⁾	1473	3340
2500 RB ⁹⁾	3	58,5	550	254	279	70
	4	80	655	457	368	110
	5	103,0	705	457	4575	170
	6	124,5	705	457	457	170
	8	174,5	940	610	610	385
	10	216	1115	610	762	660
	12	257	1250	¹¹⁾	914	1090
	14	284	1430	¹¹⁾	1041	1620
	16	325,5	1635	¹¹⁾	1118	2085
	18	366,5	1790	¹¹⁾	1245	2850
	20	408	1975	¹¹⁾	1397	3875
	24	490,5	2180	¹¹⁾	1575	5505
2500 FB ¹⁰⁾	2	38	550	254	279	65
	3	58,5	655	457	368	110
	4	80	705	457	457	155
	6	124,5	950	610	610	395
	8	174,5	1115	610	762	580
	10	216	1250	¹¹⁾	914	990
	12	257	1430	¹¹⁾	1041	1510
	14	284	1635	¹¹⁾	1118	2060
	16	325,5	1790	¹¹⁾	1245	2715
	18	366,5	1975	¹¹⁾	1397	3700
	20	408	2175	¹¹⁾	1575	4900
	3100 RB ⁹⁾	3	42,4	685	¹¹⁾	417
4		49,8	750	¹¹⁾	425	170
6		89,1	910	¹¹⁾	469	265
8		119,1	1080	¹¹⁾	536	430
10		150,9	1365	¹¹⁾	706	815
12		180,9	1500	¹¹⁾	778	1140
14		199,5	1735	¹¹⁾	949	1850
16		229,5	1840	¹¹⁾	1031	2370
18		259,5	1970	¹¹⁾	1139	3190
20		289,4	2110	¹¹⁾	1209	4155
22		319,4	2275	¹¹⁾	1307	5385
24		348,0	2470	¹¹⁾	1406	6980
26		377,6	2580	¹¹⁾	1497	8755
28		406,7	2715	¹¹⁾	1593	10625
3100 FB ¹⁰⁾	3	42,4	685	¹¹⁾	425	165
	4	49,8	830	¹¹⁾	469	250
	6	89,1	965	¹¹⁾	536	405

Class	NPS	ØB ⁶⁾	C ⁷⁾⁸⁾	ØD	E	[kg] ⁸⁾
	[inch]	[mm]	[mm]	[mm]	[mm]	
3100 FB ¹⁰⁾	8	119,1	1220	¹¹⁾	706	755
	10	150,9	1320	¹¹⁾	778	1090
	12	180,9	1525	¹¹⁾	949	1820
	14	199,5	1610	¹¹⁾	1031	2300
	16	229,5	1710	¹¹⁾	1139	3100
	18	259,5	1815	¹¹⁾	1209	4075
	20	289,4	1955	¹¹⁾	1307	5290
	22	319,4	2115	¹¹⁾	1406	6870
	24	348,0	2195	¹¹⁾	1497	8630
	26	377,6	2300	¹¹⁾	1593	10475
28	406,7	2450	¹¹⁾	1700	13000	
3600 RB ⁹⁾	3	37,9	800	¹¹⁾	471	240
	4	44,7	950	¹¹⁾	550	370
	6	80,6	1010	¹¹⁾	562	435
	8	108,0	1170	¹¹⁾	665	650
	10	137,0	1430	¹¹⁾	758	1115
	12	164,4	1590	¹¹⁾	872	1575
	14	181,5	1795	¹¹⁾	1211	2455
	16	208,8	1925	¹¹⁾	1185	3090
	18	236,0	2020	¹¹⁾	1312	4055
	20	262,2	2130	¹¹⁾	1458	5420
	22	288,4	2365	¹¹⁾	1596	7230
	24	314,6	2500	¹¹⁾	1734	9275
	26	340,9	2650	¹¹⁾	1873	11575
	28	367,1	2820	¹¹⁾	2003	14325
3600 FB ¹⁰⁾	3	37,9	950	¹¹⁾	550	360,7
	4	44,7	1010	¹¹⁾	562	408
	6	80,6	1170	¹¹⁾	665	609,2
	8	108,0	1430	¹¹⁾	758	1049,6
	10	137,0	1590	¹¹⁾	872	1497,1
	12	164,4	1795	¹¹⁾	1211	2406,4
	14	181,5	1925	¹¹⁾	1185	2990,1
	16	208,8	2020	¹¹⁾	1312	3941,1
	18	236,0	2130	¹¹⁾	1458	5311,1
	20	262,2	2365	¹¹⁾	1596	7096,2
	22	288,4	2500	¹¹⁾	1734	9113,8
	24	314,6	2650	¹¹⁾	1873	11378,7
	26	340,9	2820	¹¹⁾	2003	14096,9
	28	367,1	2925	¹¹⁾	2149	17186,4

Mating dimensions as per standard

Face-to-face lengths: ASME B16.10
Butt weld ends: ASME B16.25



KSB Pumps Limited
151, NSN Palayam Post
Mettupalayam Road • Coimbatore - 641 031. (India)
Tel. : +91 422 2468222
Fax : +91 422 2468232
E-mail : contactusksbindia@ksb.com
www.ksbindia.co.in