

PowerROC T45

Surface drill rig for quarrying and construction

Hole diameter: 76-127 mm (3"-5")





Power built in

The PowerROC T45 gives you high reliability and power worthy of its name.

Thanks to its compact structure and high manoeuvrability, the PowerROC T45 is perfect for the construction sites, as well as aggregate, cement and limestone quarries. Due to the modular and straightforward design, the service is

simple, requiring no special tools when the operator conducts regular maintenance. The ruggedness gives you a workhorse with high reliability.

+ Main benefits

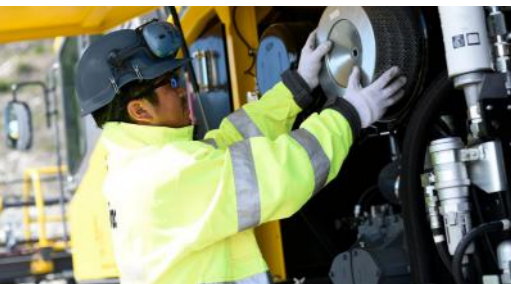
Powerful and reliable thanks to the COP rock drill with 800 impact hour service intervals

Simple to operate and maintain with a FOPS & ROPS-certified cabin and a well thought out, straightforward design

High blast hole quality with low running costs as Epiroc's COP Logic and Power ECO systems help keep costs low.

Ready to drill

The surface drill rig PowerROC T45 has a low number of components due to a modular and straightforward design. This allows for easy maintenance and a drill rig that is ready to drill.



+ Simplicity for reliability

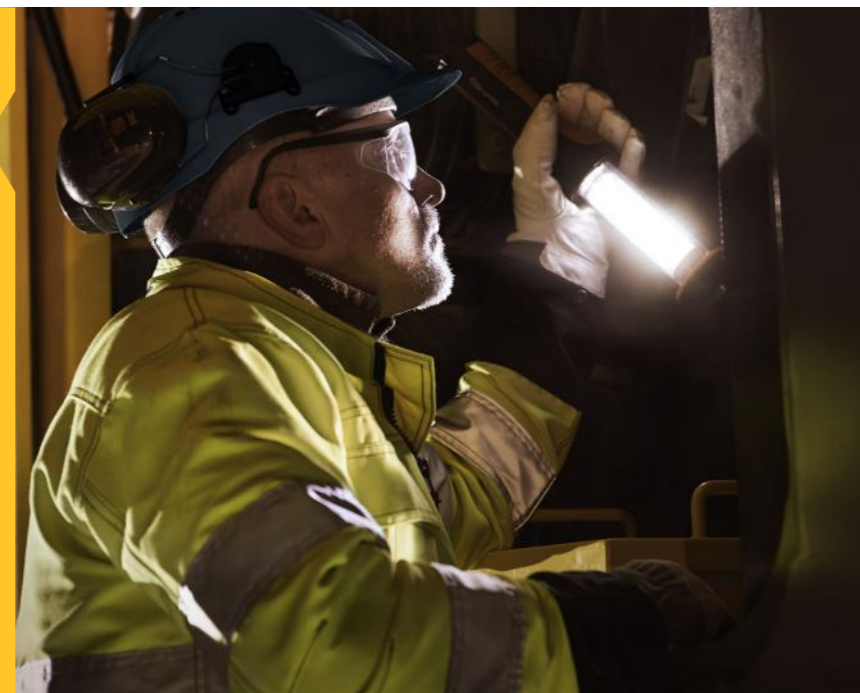
PowerROC T45 is straightforward and reliable thanks to the well-proven hydraulic pilot control system. Its easy-to-understand concept enables you to learn how to operate the machine in no time. The maintenance is service-friendly with a low number of components and electrical parts.

+ High quality blast holes

The better the hole, the better the blast. Our Cop Logic system adjusts to achieve the best drilling performance in real time with robust hydraulics and low number of moving parts. Whatever the rock condition is, you can be sure the PowerROC rigs will get you high penetration rate while reducing consumables cost. Epiroc's COP Logic – in combination with the COP rock drills, with damper system – provides extremely good contact of the bit to the rock, for an optimal transfer of impact power.

+ Ergonomic design and high serviceability

The ergonomically designed operator cabin gives the operator full visibility during the drilling process, and great comfort for improved working efficiency. Easy access to vital service points means that the PowerROC T45 is easy to maintain and service. For quick troubleshooting, all hoses are clearly marked to match the schematic drawings in the spare parts lists.



A comprehensive service offering

Even the best equipment needs to be serviced regularly to make sure it sustains peak performance. An Epiroc service solution offers peace of mind, maximizing availability and performance throughout the lifetime of your equipment. We focus on safety, productivity and reliability.

By combining genuine parts and an Epiroc service from our certified technicians, we safeguard your productivity – wherever you are.

Technical specifications

Main components

- Track frames with single or triple grouser pads, hydraulic track oscillation and two speed traction
- Cummins turbo charged diesel engine, QSB6.7, Tier 3/ Stage III, QSB6.7 Tier 4 Final/Stage IV
- Screw type compressor
- Cabin, ROPS and FOPS approved
- Extendable boom system
- Carousel type rod handling system: 6 rods (3,66 m) in the carousel and 1 starter rod (4,2 m) on the feed beam (standard feed)
- Hydraulic rock drill
- Dust collector system

Engine

Cummins turbo charged, diesel engine QSB6.7, Tier 3/Stage III and QSB6.7C, Tier 4 Final/Stage IV	Metric	US
Power rating at 2 200 rpm	194 kW	260 hp

Compressor

Screw type air compressor	Metric	US
Working pressure, max	9.8 bar	140 psi
FAD, at normal working pressure	175 l/s	370 cfm

Hydraulic system

Hydraulic oil cooler	Metric	US
Max ambient temperature	52°C	125°F

Electrical system

Voltage	24 V
Batteries	2 x 12 V, 96 Ah
Alternator	24 V, 70 A
Work lights, front	4 x 70 W
Work lights, rear	1 x 70 W
Reverse alarm	

Hydraulic rock drill

Rock drill	Impact power	Hydraulic pressure	Impact rate	Max torque	Weight approx
COP SC25-HE	25 kW (33.5 hp)	200 bar (2 900 psi)	2: 55 Hz / 3: 44 Hz	1 225 Nm (904 lbf-ft)	195 kg (429 lb)
COP SC25X-HE					249 kg (548 lb)

Hole range (recommended)

Type of drilling	Drill steel type	Drilling diameter	Max hole depth	Drill steel length
Standard feed	T45, T51	76-127 mm (3-5')	25 m (82')	3 660 mm (12') x 6

Feed

Hydraulic motor feed with hose reel and dust hood	Metric	US
Feed extension	1 500 mm	59'
Feed rate, max	0.6 m/s	118 ft/min
Feed force, max	19.6 kN	4 406 lbf
Tractive pull, max	19.6 kN	4 406 lbf
Total length	7 660 mm	301.6'
Travel length	4 360 mm	171.7'

Volumes

Hydraulic oil tank	220 l	58 US gal
Hydraulic system, total	250 l	66 US gal
Compressor oil	42 l	11 US gal
Diesel engine oil	19 l	5 US gal
Diesel engine, cooling water	35 l	9.2 US gal
Diesel engine, fuel tank	430 l	114 US gal
Traction gear	2.5 l	0.66 US gal
Lubrication tank(ECL)	4.0 l	1.05 US gal
DEF fluid tank (Tier 4 Final only)	16.9 l	4.4 US gal

Dust collector

	Metric	US
Filter area	23 m ²	248 sq.ft
Number of filter elements	10 pcs	10 pcs
Cleaning air pressure, max	4.0 bar	58 psi
Cleaning air consumption	15 l/pulse	0.5 cu.ft/pulse
Suction hose diameter	150 mm	5.9'
Suction capacity at 200 mm Aq	467 l/s	989 gal/s

Technical specifications

One-lever semi-automatic control for easy and clear rod handling operation.

Epiroc COP Logic combined with the COP SC25-HE rock drill and damper system increase the life of drill accessories as well as improve the blast holes quality.

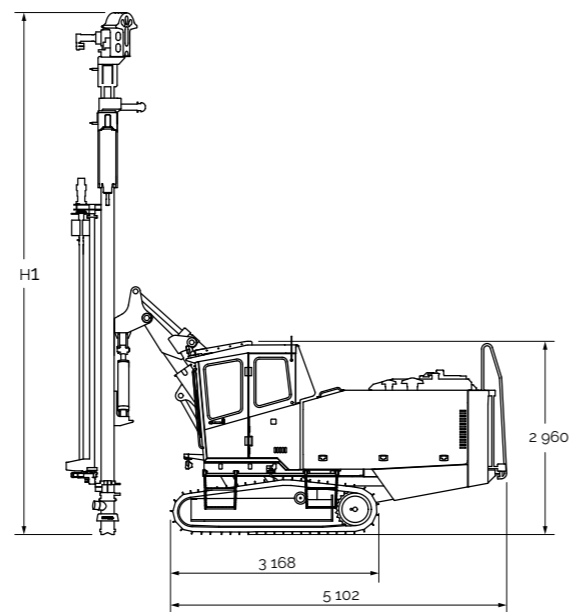
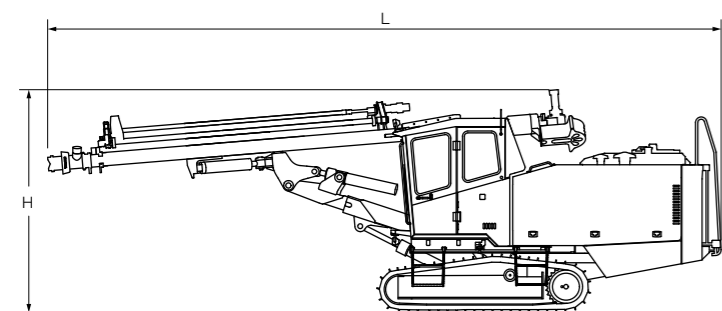
Comfortable operating environment with ROPS/FOPS protection and equipped with easy hydraulic pilot drill control joysticks.

High-volume air-compressor matches the high productivity of COP SC25-HE rock drill.



Transport dimensions

	Metric	US
Height (H)	3 270 mm	129'
Length (L)	10 000 mm	393.7'
Width	2 410 mm	94.8'
Feed height (H1)	7 935 mm	312.4'
Weight	14 500 kg	31 967 lb



Selection of options

Hole measuring systems

- 2D angle indicator - TRANSTRONIC HQS
- 3D angle indicator with speed and depth - TRANSTRONIC HQS

Safety

- Reverse camera
- LED lamp kit
- Flashlight kit

Delivered equipment, not mounted

- Gas charging equipment (for rock drill)
- Hydraulic pressure test kit

Rod handling system

- RHS T45 x 12 x 6 for 63 mm coupling
- RHS T45 x 12 x 6 for 66 mm coupling
- Conversion kit T51/72 mm sleeve to 77 mm sleeve

Dust control

- Dust pre-separator

Track

- Track chain with single grouser pads (only available for CE)

Water mist system

- Water mist system (exclusive tank)
- Water mist system ASME tank

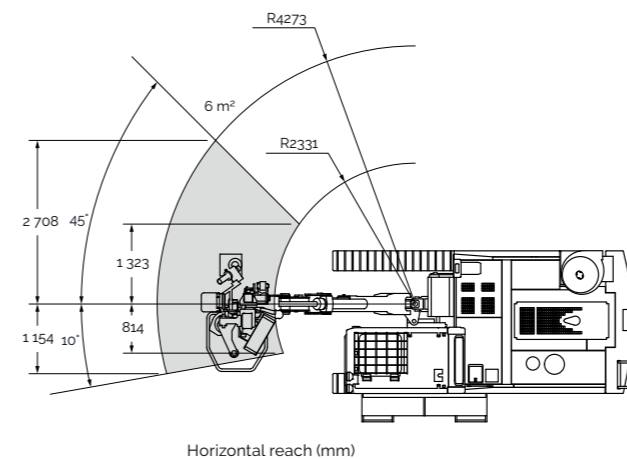
Parts and services

- Extra spare parts book
- Central lubrication system

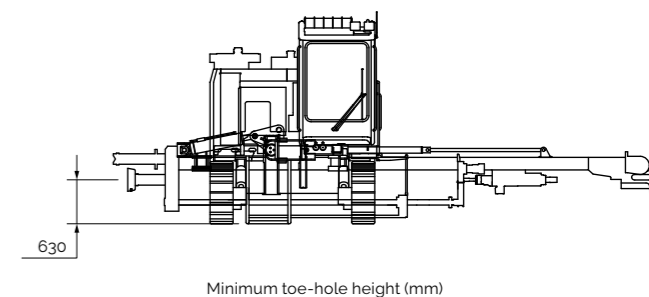
Adjustments for drilling

- Percussion pressure control system
- Rotation speed control system

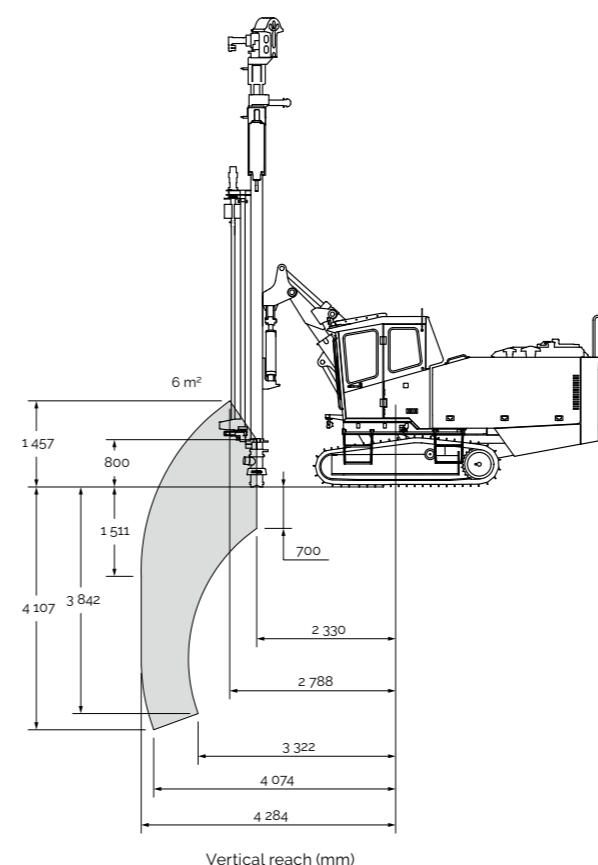
Technical specifications



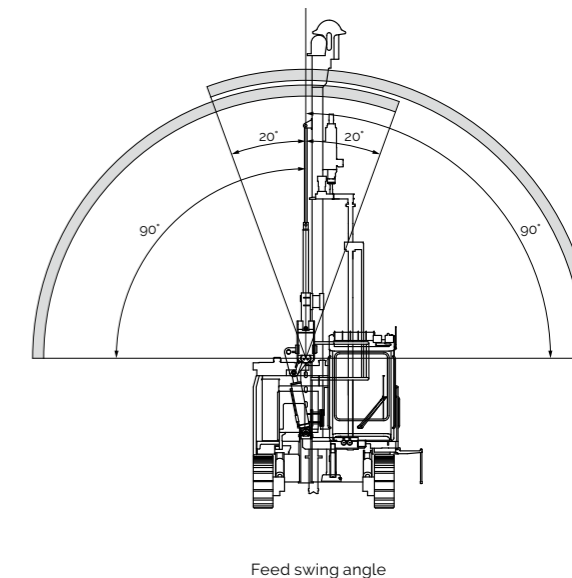
Horizontal reach (mm)



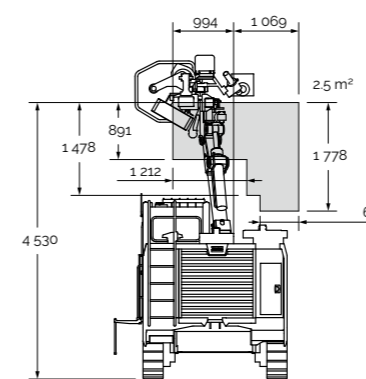
Minimum toe-hole height (mm)



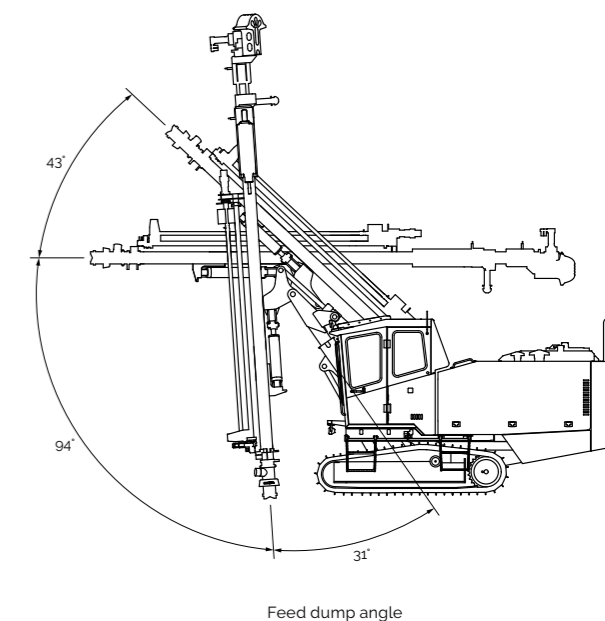
Vertical reach (mm)



Feed swing angle



Front face horizontal coverage area (mm)



Feed dump angle

United in performance. Inspired by innovation.

Performance unites us, innovation inspires us, and commitment drives us to keep moving forward. Count on Epiroc to deliver the solutions you need to succeed today and the technology to lead tomorrow.
[epiroc.com](https://www.epiroc.com)

