

Gamma

Axially split Volute Casing Pump

Applications:

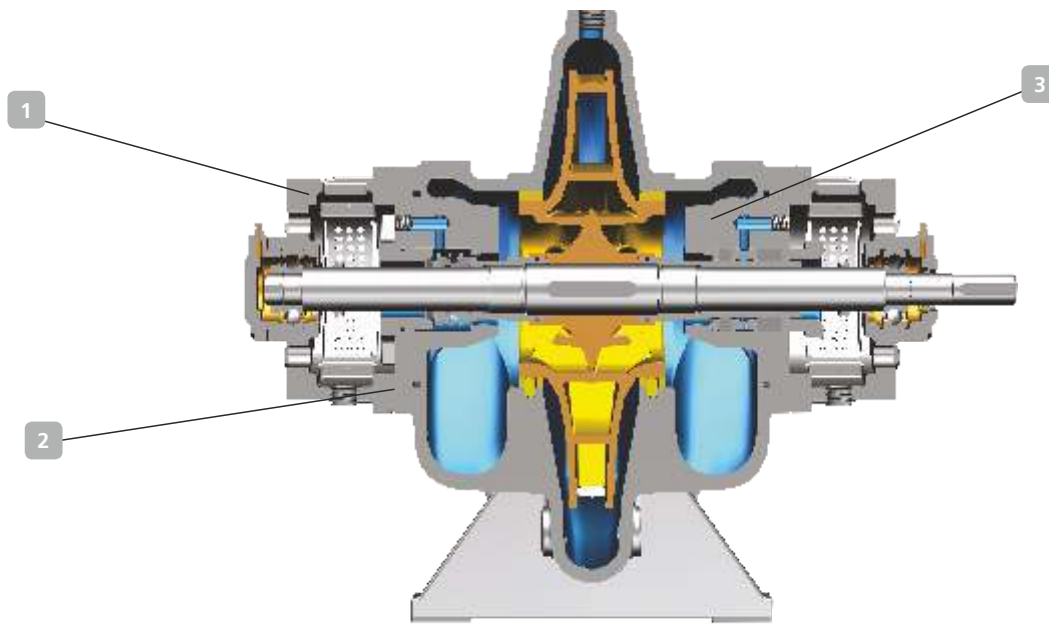
For handling pure and raw water in

- Water works
- Irrigation
- Pumping stations
- Industrial water supply
- Application in general industry
- HVAC

Trust of German Technology



Gamma - Axially split Volute Casing Pump



1 High operating reliability

Thanks to the double-entry impeller (compensating the axial forces) the load on the generously dimensioned, pre-loaded, maintenance-free bearings is minimal.

2 Low maintenance costs

- The combination of solid bearing brackets, a short and rigid shaft, and pre-loaded bearings guarantees low vibrations and long operating lives of bearings, seals and coupling.
- Corrosion and abrasion resistant materials ensure top service lives for shaft protecting sleeves, casing wear rings, and impeller.

3 Service-friendly design

- The self-centring upper part of the casing and the preloaded rotor enable cover and rotor assembly without any adjustments.
- For maintenance, the casing split flange can be easily and thoroughly cleaned, and the inside of the pump is freely accessible.

Reliable sealing

The solid casing split flange at the upper and lower casing part ensures reliable and trouble-free sealing with Liquid Gasket between the upper and lower casing halves.

Materials*

Volute casing	Grey cast iron
Impeller	Grey cast iron / Bronze / Stainless steel
Shaft	Carbon Steel / Cr steel
Shaft protecting sleeves	Cr steel
Casing wear rings	Bronze
*) other materials on request	

Technical data

Pump sizes	DN 80 - 350	3 to 14 in
Capacity	Up to 3200 m ³ /h	Up to 14089 gpm
Discharge head	Up to 87 m	Up to 286 ft
Operating pressure	Up to 10 bar	Up to 145 psi
Temperature	Up to 80°C	Up to 176°F
Max Operating Speed	1450 rpm	



KSB Limited
 Mumbai-Pune Road, Pimpri, Pune - 411 018. India.
 Tel.: +91 20 2710 1000 Fax : +91 20 2742 6000 www.ksbindia.co.in

Our toll free no : 1800 233 1299
 (Mon-Sat. 8am-10pm)