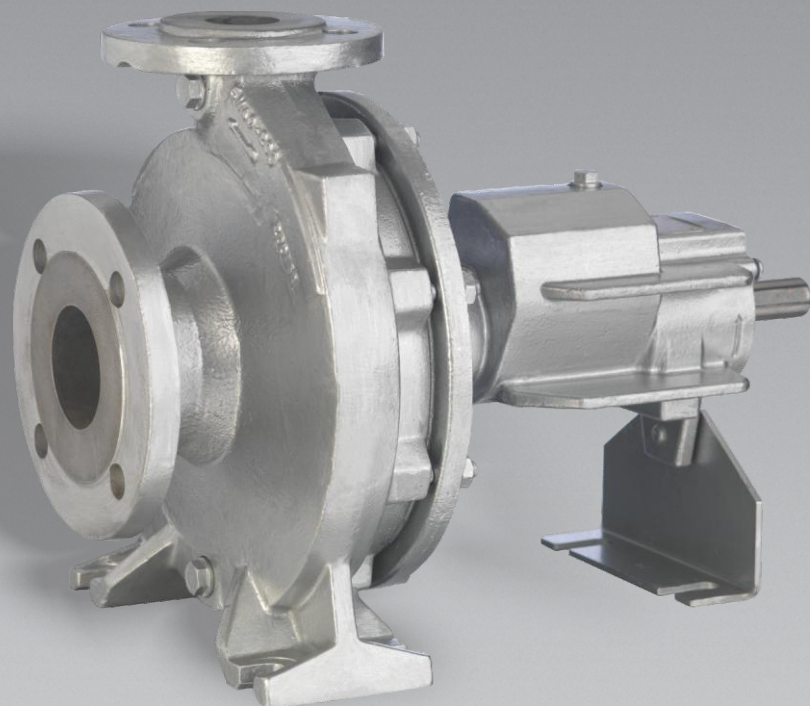


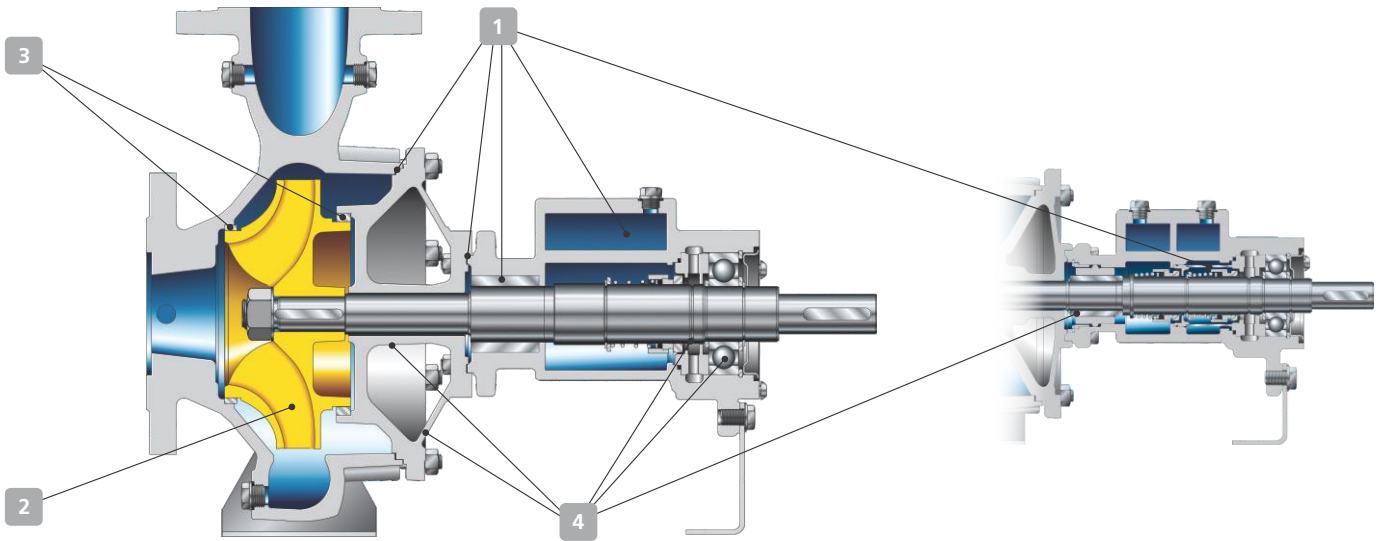
## **Etanorm SYT -** **Thermal Oil / Hot Water Pumps**

### **Applications :**

- Heat transfer systems  
(DIN 4754, VDI 3033)
- Hot water circulation  
(DIN 4752)



# Etanorm SYT - Thermal Oil / Hot Water Pumps



## 1 Maximum operating reliability

- Highly effective venting contour ensures optimum venting.
- Confined gaskets.
- Design variant with double-acting mechanical seal in tandem arrangement.
- Anti-seize carbon plain bearing lubricated by the fluid handled.

## 2 High energy efficiency

- Optimised hydraulic system yields high efficiency.
- Impeller trimmed to match the specified duty point.
- Suitable for variable-speed operation.

## 3 Easy to service

Replaceable wearings and straightforward dismantling of bearing bracket.

## 4 Robust design

- Sturdy discharge cover designed for high stiffness.
- Optimised heat barrier, little wear.
- Design variant with SiC/SiC bearing for high resistance.
- Reinforced deep-groove ball bearing with special grease fill for long service life.
- Optimised shaft contour ensures reliable removal of leakage.

### Technical data

Pump size	25 to 150 mm
Discharge up to*	625/754 m <sup>3</sup> /h
Head up to*	102/100 m
Fluid temperature	-30 to +350 °C
Max. operating pressure	16 bar

\* Values for 50 Hz/60 Hz

### Material

	EG	EE	EC
Volute casing	A 216 Gr. WCB		
Casing cover	A 216 Gr. WCB		
Impeller	Cl Gr. A48CL35B	WCB	A 743 Gr. CF8M
Shaft	A 276 Gr. 410		
Bearing bracket	A 216 Gr. WCB		



**KSB Pumps Limited**

Mumbai-Pune Road, Pimpri, Pune - 411 018. India.

Tel.: +91 20 2710 1000 Fax : +91 20 2742 6000 www.ksbindia.co.in