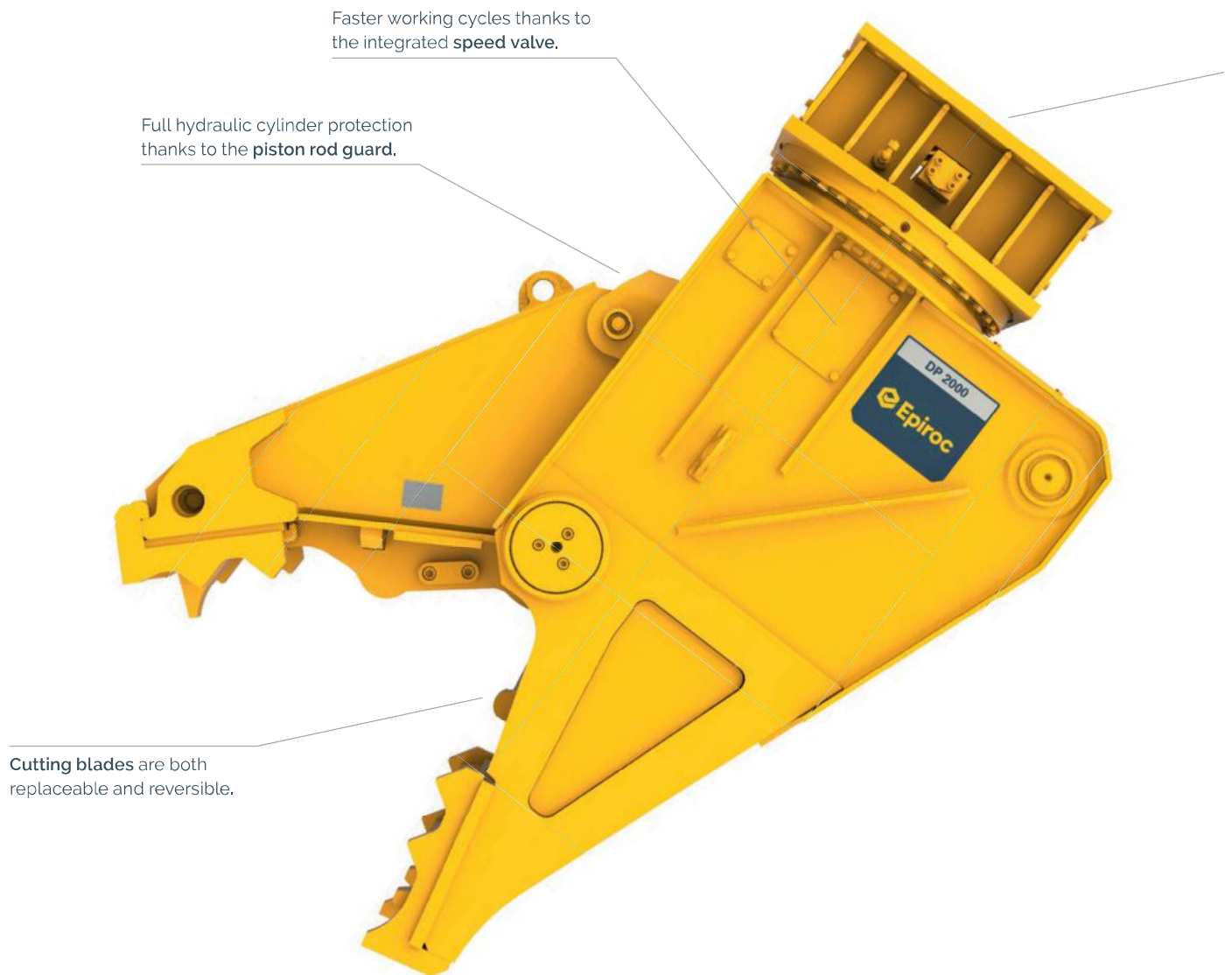


Levelling the working field

The straight design of the Demolition Pulverizer makes it optimally suited for primary demolition and secondary reduction of non-reinforced and reinforced concrete structures.



Faster working cycles thanks to the integrated **speed valve**.

Full hydraulic cylinder protection thanks to the **piston rod guard**.

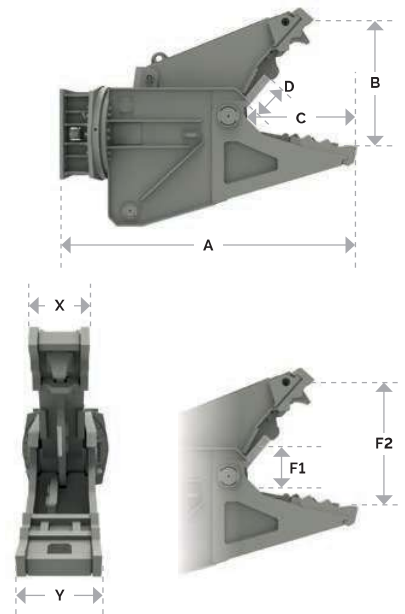
Cutting blades are both replaceable and reversible.

360° endless hydraulic rotation allows optimal positioning and precise handling.



Long-term use is guaranteed by the extremely robust design of the Demolition Pulverizers. Wear parts are also easily replaced on-site.

DP range		DP 2000	DP 2800
Carrier weight class ¹⁾	t	18–27	25–35
Service weight ²⁾	kg	2.130	2.930
Product weight	kg	1.990	2.715
A	mm	2.320	2.550
B	mm	820	1.000
C	mm	650	750
D	mm	190	350
X	mm	340	340
Y	mm	490	500
F1	t	265	320
F2	t	85	100
Cycle time (opening/closing)	sec	4,0/4,0	4,0/4,0
Oil flow rate (opening & closing)	l/min	150–250	250–350
Max. operating pressure (opening & closing)	bar	350	350
Oil flow rate (rotation)	l/min	35–50	35–50
Max. operating pressure (rotation)	bar	170	170



¹⁾ Weights apply to standard carriers only. Any variances must be agreed with Epiroc and/or the carrier manufacturer prior to attachment.

²⁾ Attachment with average-sized adapter plate.