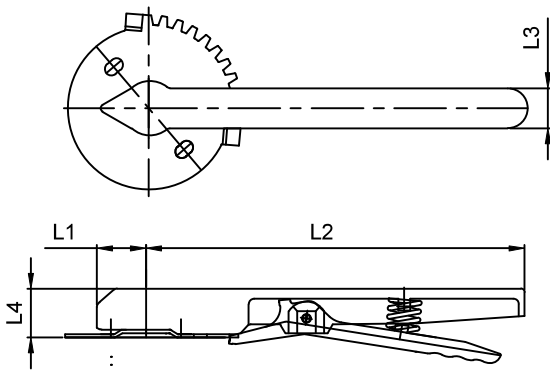
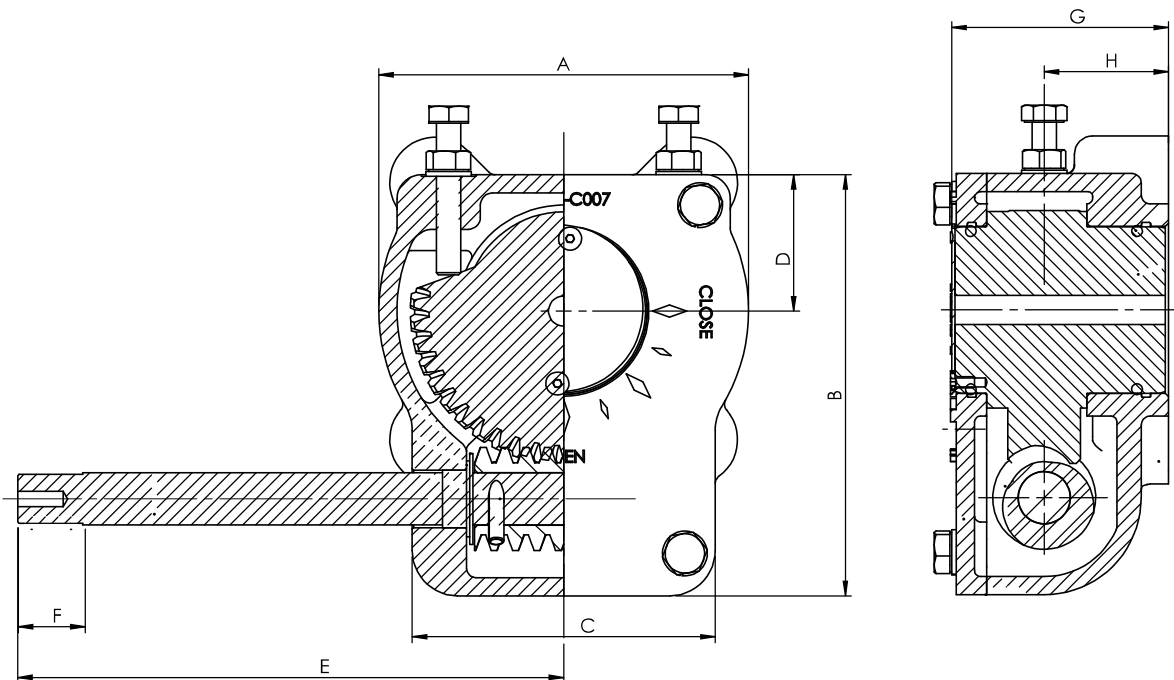


## Dimensions of Lever



Valve size	L1	L2- PN10	L2- PN16	L3	L4	Wt. Kg
DN 50	26	245	260	26	32	1.3
DN 65	26	245	260	26	32	1.3
DN 80	26	245	260	26	32	1.3
DN 100	26	245	260	26	32	1.3
DN 125	26	245	260	26	32	1.3
DN 150	26	245	260	26	32	1.3
DN 200	46	351	351	37	49	2.8
DN 250	46	351	351	37	49	2.8
DN 300	46	351	351	37	49	2.8

## Dimensions of Gear Box



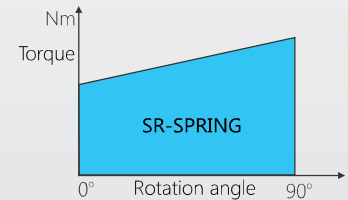
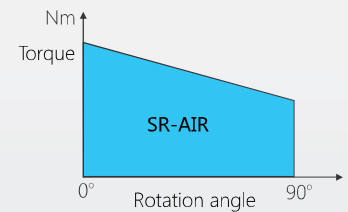
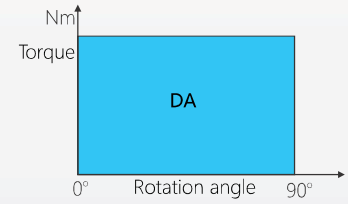
Valve Size	Gear Box Model	Rated Torque N-m	Input torque N-m	Mounting Base	Max Stem Bore (Key)	Max Stem Square	A	B	C	D	E	F	G	H	Hand Wheel	Weight without HW (Kg)
DN50-PN10/PN16	EGW-C002	250	19	F05/F07	22(6x6)	17	90	100	72	35	141	15	51	30	150	2
DN65-PN10/PN16	EGW-C002	250	19	F05/F07	22(6x6)	17	90	100	72	35	141	15	51	30	150	2
DN80-PN10/PN16	EGW-C002	250	19	F05/F07	22(6x6)	17	90	100	72	35	141	15	51	30	150	2
DN100-PN10/PN16	EGW-C002	250	19	F05/F07	22(6x6)	17	90	100	72	35	141	15	51	30	150	2
DN125-PN10/PN16	EGW-C002	250	19	F05/F07	22(6x6)	17	90	100	72	35	141	15	51	30	150	2
DN150-PN10/PN16	EGW-C002	250	19	F05/F07	22(6x6)	17	90	100	72	35	141	15	51	30	150	2
DN200-PN10/PN16	EGW-C005	500	35	F07/F10	35(10x8)	27	110	126	94	48	161	18	58	34	200	3.2
DN250-PN10/PN16	EGW-C005	500	35	F07/F10	35(10x8)	27	110	126	94	48	161	18	58	34	200	3.2
DN300-PN10/PN16	EGW-C007	750	55	F07/F10/F12	40(12x8)	32	122	139	100	45	180	22	69	38	300	5
DN350-PN16	EGW-C007	750	55	F07/F10/F12	40(12x8)	32	122	139	100	45	180	22	69	38	300	5
DN400-PN16	EGW-C010	1000	61	F10/F12/F14	44(12x8)	36	145	154	112	50	199	25	78.5	48	350	7.5
DN450-PN16	EGW-C015	1500	97	F10/F12/F14/ F16	50(14x10)	42	152	169	124	56	218	25	88	55	550	10.5
DN500-PN16	EGW-C015	1500	97	F10/F12/F14/ F16	50(14x10)	42	152	169	124	56	218	25	88	55	550	10.5
DN600-PN16	EGW-S004	-	-	-	-	-	-	-	-	-	-	-	-	-	-	-

## KSB Pneumatic actuator – Single and Double acting (EPS/EPD)

- Actuators are provided with Namur shaft for Direct engagement of accessories like Limit switch, Positioner, Transmitter etc.
- Direct mounting of solenoid with actuator eliminates tubing requirement for maintenance friendly.
- Aluminium casing with anodizing provides better anti corrosion.
- External stopper bolt arrangement is provided to adjust the full rotation of 90 deg.
- Act. Mounting base offers ISO 5211 mountings for direct interface.
- Declutchable Gear box can be attached as variant.
- Stainless steel housing available as optional.



Torque Model	Air Pressure								
	2 bar	3 bar	4 bar	4.5bar	5 bar	5.5 bar	6 bar	7 bar	8 bar
EPD040	4.0	6.0	8.0	9	10.0	11.0	12.0	14.0	16.0
EPD052	8.5	12.7	17.0	19	21.2	23.4	25.5	29.7	34.0
EPD063	15.0	22.5	30.0	33.75	37.5	41.1	44.9	52.4	59.9
EPD075	24.7	37.1	49.5	55.7	61.9	68.0	74.2	86.6	99.0
EPD083	32.5	48.7	65.0	73.1	81.2	89.3	97.4	113.7	130.0
EPD092	46.5	69.8	93.0	104.65	116.3	128.0	140.0	162.9	186.0
EPD105	69.3	104.0	138.5	155.85	173.2	190.5	207.8	242.5	277.0
EPD125	122.7	184.0	245.5	276.15	306.8	337.5	368.0	429.5	490.8
EPD140	184.7	277.0	369.5	415.65	461.8	508.0	554.0	646.5	739.0
EPD160	281.5	422	563	633	704	774	844	985	1126
EPD190	453	680	907	1020	1134	1247	1361	1587	1814
EPD210	623	935	1246	1402	1558	1714	1870	2182	2493
EPD240	977	1465	1954	2198	2443	2687	2931	3420	3908
EPD270	1374	2061	2748	3091	3435	3778	4122	4809	5496
EPD300	1696	2544	3392	3816	4241	4665	5089	5937	6785
EPD350	2539	3809	5079	5714	6349	6984	7619	8889	10159
EPD400	3619	5428	7238	8142	9047	9952	10857	12666	14476



## Solenoid valves



- Provides Namur Mounting eliminates tubing's.
- 3/2 & 5/2 solenoid with single / Dual coils as Optional.
- IP65 certification is offered.
- Aluminium / SS housings are available.

## Limit Switch Box

Offers Namur shaft for direct mounting.

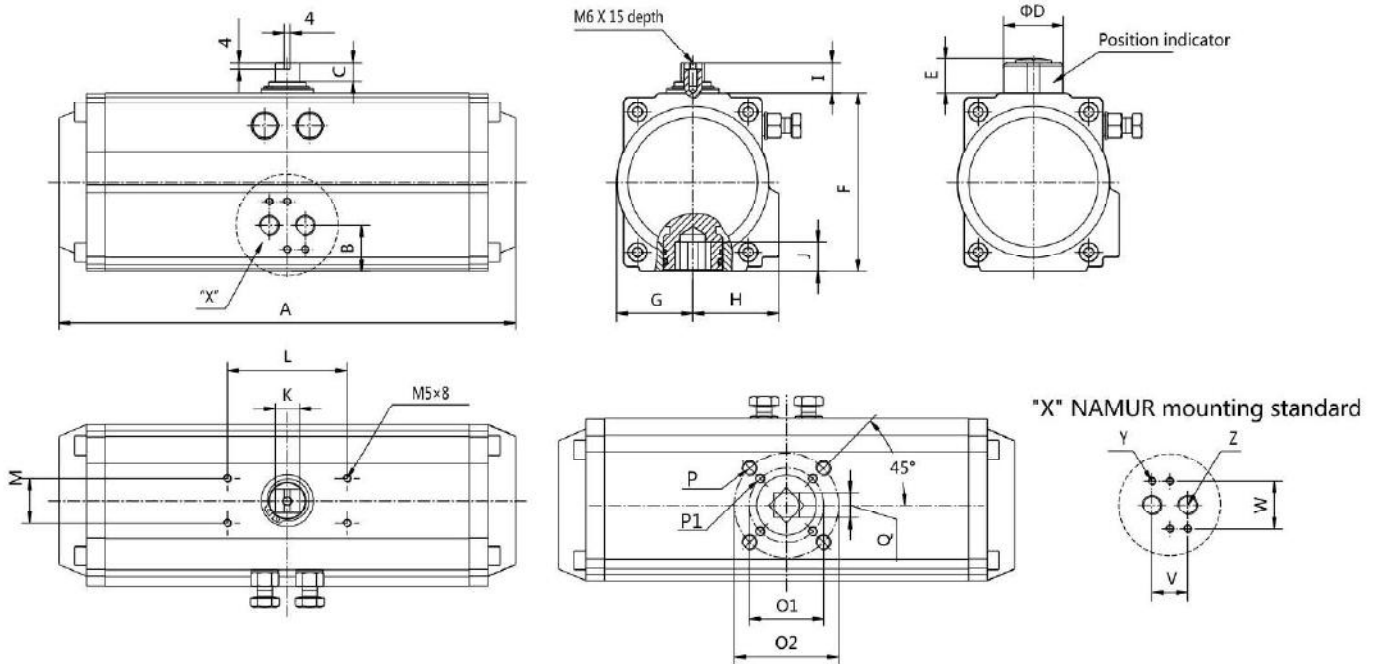
- Honeywell Micro switch as a standard and P&F switch as Optional can be offered.
- IP67 / IP68 certification can be offered
- Aluminium / SS housings are available

## Other Accessories

- Air filter regulator shall be offered based on customer requirement.
- For special accessories, please contact the Factory.



## Actuator Dimensions EPS / EPD in mm.



Model	EP040	EP052	EP063	EP075	EP083	EP092	EP105	EP125	EP140	EP160	EP190	EP210	EP240	EP270	EP300	EP350	EP400
	D/S	D/S	D/S	D/S	D/S	D/S	D/S	D/S	D/S	D/S	D/S	D/S	D/S	D/S	D/S	D/S	D/S
ISO5211	F03/F05		F05/F07				F07/F10		F10/F12		F14		F16			F16 / F25	
A	116	145	169	201	209	242	275	332	385	450	507	562	646	722	825	866	1006
B	18,5	24	25,5	27	30,5	31	32,5	33	39,5	43,5	58,5	64	72	74	85	95	233
C	12	12	12	12	12	12	12	12	12	12	20	20	20	20	20	35	35
D	40	40	40	40	40	40	40	55	55	55	80	80	80	80	80	95	95
E	22	22	22	22	22	22	22	22	22	22	33	33	33	33	33	54	54
F	60	72	88	100	108	120	133	155	171,5	197	230	255	290	320	354	410	467
G	24	30	36	42	46	51	58	67,5	76	86,5	103	113	129	146	162	190	260
H	36,5	41	46	52	55	57,5	64	70	77	87,5	103	113	129	146	173	195	260
I	20	20	20	20	20	20	20	20	20	20	30	30	30	30	30	50	50
Jmin	11	13	16	20	20	20	25	25	30	30	40	40	50	50	50	60	60
K	9	12	12	12	16	16	16	22	22	22	32	32	32	32	32	45	45
L	80	80	80	80	80	80	80	80	80	80	130	130	130	130	130	130	130
M	30	30	30	30	30	30	30	30	30	30	30	30	30	30	30	30	30
N	8	8	8	8	8	8	8	8	8	8	8	8	8	8	8	8	8
O1	42	36	50	50	50	50	70	70	102	102	/	/	/	/	/	165	165
O2	/	50	70	70	70	70	102	102	125	125	140	140	165	165	165	254	254
P1	4-M5		4-M6				4-M8		4-M10		/	/	/	/	/	4-M20	
P	/	4-M6	4-M8	4-M8	4-M8	4-M8	4-M10		4-M12		4-M16		4-M20		8-M16		
Q	9	11	14	17	17	17	22	22	27	27	36	36	46	46	46	55	55
V	20	24	24	24	24	24	24	24	24	24	24	24	40	40	40	40	40
W	29	32	32	32	32	32	32	32	32	32	32	32	45	45	45	45	45
Y	M4X6	M5X8										M6X10					
Z	1/8"	1/4"	1/4"	1/4"	1/4"	1/4"	1/4"	1/4"	1/4"	1/4"	1/4"	1/4"	3/8"	3/8"	1/2"	1/2"	1/2"

## Actuator Torque - EPS Series

### Torque List of Single Acting Pneumatic Actuator (N.m)

Model	Spring		Air pressure																	
	sets	Spring Torque		3.0bar		4.0bar		4.5bar		5.0bar		5.5bar		6.0bar		7.0bar		8.0bar		
		90°	0°	0°	90°	0°	90°	0°	90°	0°	90°	0°	90°	0°	90°	0°	90°	0°	90°	
EPS040	5	3	2	4	3	6	5													
	6	3.6	2.4	3.6	2.4	5.6	4.4	6.6	5.4	7.6	6.5	8.6	7.4							
	7	4.2	2.8	3.2	1.8	5.2	3.8	6.2	4.8	7.2	5.9	8.2	6.8	9.3	7.9					
	8	4.8	3.2	2.8	1.2	4.8	3.2	5.8	4.2	6.8	5.3	7.8	6.2	8.9	7.3	10.9	9.3			
	9	5.4	3.6			4.4	2.6	5.4	3.6	6.4	4.7	7.4	5.6	8.5	6.7	10.5	8.7	12.5	10.7	
	10	6	4			4	2	5	3	6	4.1	7.0	5.0	8.1	6.1	10.1	8.1	12.1	10.1	
	11	6.6	4.4								5.6	3.5	6.6	4.4	7.7	5.5	9.7	7.5	11.7	9.5
12	7.2	4.8								5.2	2.9	6.2	3.8	7.2	4.9	9.3	6.9	11.3	8.9	
EPS052	5	5.4	4	8.8	7.3	13	11.6													
	6	6.5	4.7	8	6.3	12.3	10.5	14.4	12.6	16.5	14.8	18.6	16.9							
	7	7.6	5.5	7.2	5.2	11.5	9.4	13.6	11.5	15.7	13.7	17.8	15.8	20	17.9					
	8	8.6	6.3	6.4	4.1	10.7	8.4	12.8	10.5	14.9	12.6	17.0	14.7	19.2	16.8	23.4	21.1			
	9	9.7	7.1			9.9	7.3	12	9.4	14.1	11.5	16.3	13.6	18.4	15.8	22.6	20	26.9	24.3	
	10	10.8	7.9			9.1	6.2	11.2	8.3	13.3	10.4	15.5	12.6	17.6	14.7	21.8	18.9	26.1	23.2	
	11	11.9	8.7								12.6	9.4	14.7	11.5	16.8	13.6	21	17.9	25.3	22.1
12	13	9.5								11.8	8.3	13.9	10.4	16	12.5	20.3	16.8	24.5	21	
EPS063	5	9.9	6.8	15.7	12.5	23.2	20													
	6	11.9	8.1	14.3	10.5	21.8	18	25.5	21.7	29.3	25.5	33.1	29.2							
	7	13.9	9.5	13	8.5	20.4	16	24.1	19.7	27.9	23.5	31.7	27.3	35.4	31					
	8	15.9	10.9	11.6	6.5	19.1	14	22.8	17.7	26.6	21.5	30.3	25.3	34	29	41.5	36.5			
	9	17.9	12.2			17.7	12	21.4	15.7	25.2	19.5	29.0	23.3	32.7	27	40.2	34.5	47.7	42	
	10	19.9	13.6			16.4	10	20.1	13.7	23.9	17.5	27.6	21.3	31.3	25	38.8	32.5	46.3	40	
	11	21.9	14.9								22.5	15.5	26.3	19.4	30	23	37.5	30.5	44.9	38
12	23.9	16.3								21.1	13.6	24.9	17.4	28.6	21	36.1	28.5	43.6	36	
EPS075	5	15.5	10.2	27	21.6	39.3	34													
	6	18.6	12.2	24.9	18.6	37.3	30.9	43.5	37.1	49.7	43.3	56.0	49.6							
	7	21.7	14.2	22.9	15.5	35.3	27.8	41.4	34	47.6	40.2	54.0	46.5	60	52.6					
	8	24.8	16.2	20.9	12.4	33.2	24.7	39.4	30.9	45.6	37.1	51.9	43.5	58	49.5	70.4	61.8			
	9	27.9	18.3			31.2	21.6	37.4	27.8	43.6	34	49.9	40.3	56	46.4	68.3	58.7	80.7	71.1	
	10	30.9	20.3			29.2	18.5	35.4	24.7	41.6	30.9	47.9	37.2	53.9	43.3	66.3	55.7	78.7	68	
	11	34	22.3								39.5	27.8	45.8	34.1	51.9	40.2	64.3	52.6	76.6	64.9
12	37.1	24.4								37.5	24.7	43.8	31.0	49.9	37.1	62.2	49.5	74.6	61.8	
EPS083	5	21.5	14.9	33.9	27.2	50.1	43.4													
	6	25.8	17.8	30.9	22.9	47.1	39.1	55.2	47.2	63.3	55.3	71.6	63.6							
	7	30.1	20.8	27.9	18.6	44.1	34.8	52.2	42.9	60.4	51	68.7	59.3	76.6	67.3					
	8	34.4	23.8	24.9	14.3	41.2	30.5	49.3	38.6	57.4	46.7	65.7	55.0	73.6	63	89.9	79.2			
	9	38.8	26.7			38.2	26.2	46.3	34.3	54.4	42.4	62.7	50.7	70.7	58.7	86.9	74.9	103.1	91.1	
	10	43.1	29.7			35.2	21.9	43.3	30	51.5	38.1	59.7	46.4	67.7	54.3	83.9	70.6	100.2	86.8	
	11	47.4	32.7								48.5	33.8	56.8	42.1	64.7	50	81	66.3	97.2	82.5
12	51.7	35.6								45.5	29.5	53.9	37.8	61.8	45.7	78	62	94.2	78.2	
EPS092	5	30.3	21.8	48	39.5	71.3	62.8													
	6	36.3	26.2	43.7	33.5	66.9	56.7	78.5	68.3	90.2	80	102.1	91.9							
	7	42.4	30.5	39.3	27.4	62.6	50.7	74.2	62.3	85.8	74	97.7	85.0	109.1	97.2					
	8	48.4	34.9	34.9	21.4	58.2	44.6	69.8	56.2	81.5	67.9	93.4	79.8	104.7	91.2	128	114.4			
	9	54.5	39.2			53.9	38.6	65.5	50.2	77.1	61.8	89.0	73.7	100.4	85.1	123.7	108.4	146.9	131.6	
	10	60.6	43.6			49.5	32.5	61.1	44.1	72.8	55.8	84.7	67.6	96	79.1	119.3	102.3	142.6	125.6	
	11	66.6	47.9								68.4	49.7	80.3	61.6	91.7	73	114.9	96.3	138.2	119.5
12	72.7	52.3								64	43.7	76.0	55.5	87.3	66.9	110.6	90.2	133.8	113.5	
EPS105	5	46.1	39.3	64.6	57.8	99.2	92.4													
	6	55.3	47.2	56.8	48.6	91.4	83.2	108.7	100.5	126	117.9	143.8	135.6							
	7	64.5	55	48.9	39.4	83.5	74	100.8	91.3	118.2	108.6	135.9	126.4	152.8	143.3					
	8	73.8	62.9	41	30.2	75.7	64.8	93	82.1	110.3	99.4	128.1	117.1	144.9	134.1	179.6	168.7			
	9	83	70.7			67.8	55.6	85.1	72.9	102.4	90.2	120.2	108.0	137.1	124.8	171.7	159.5	206.4	194.1	
	10	92.2	78.6			59.9	46.3	77.2	63.6	94.6	81	112.3	98.7	129.2	115.6	163.9	150.3	198.5	184.9	
	11	101.4	86.5								86.7	71.8	104.5	89.6	121.4	106.4	156	141	190.6	175.7
12	110.6	94.3								78.9	62.5	96.6	80.3	113.5	97.2	148.1	131.8	182.8	166.5	
EPS125	5	80	53	131	104	192	166													
	6	96	64	120	88	182	150	212.5	180.5	243	211	274	242							
	7	112	74	110	72	171	134	202	164.5	233	195	264	226	294	257					
	8	128	85	99	56	161	118	191.5	148.5	222	179	253	210	283	241	345	302			
	9	144	95			150	102	180.5	132.5	211	163	242	194	273	225	334	286	395	347	
	10	160	106			139	86	170	116.5	201	147	232	178	262	209	324	270	385	331	
	11	175	117								190	131	221	162	252	193	313	254	374	315
12	191	127								180	115	211	146	241	177	302	238	364	299	
EPS140	5	139	93	184	138	277	230													
	6	167	111	166	110	258	203	304.5	249	351	295	397	342							
	7	195	130	147	82	240	175	286	221	332	267	379	314	424	360					
	8	222	148	129	55	221	147	267	193	313	239	360	286	406	332	498	424			
	9	250	167			203	119	249	165.5	295	212	342	258	387	304	480	396	572	489	
	10	278	185			184	91	230	137.5	276	184	323	231	369	276	461	368	554	461	
	11	306	204								258	156	305	203	350	248	443	341	535	433
12	334	222								239	128	286	175	332	220	424	313	516	405	

## Actuator Torque - EPS Series

### Torque List of Single Acting Pneumatic Actuator (N.m)

Model	Spring sets	Air pressure																	
		Spring Torque		3.0bar		4.0bar		4.5bar		5.0bar		5.5bar		6.0bar		7.0bar		8.0bar	
		90°	0°	0°	90°	0°	90°	0°	90°	0°	90°	0°	90°	0°	90°	0°	90°	0°	90°
EPS160	5	211	143	279	211	420	352												
	6	253	172	251	169	391	310	461.5	380	532	450	604	522						
	7	295	200	222	127	363	268	433.5	338	504	408	575	480	644	549				
	8	338	229	193	85	334	225	404.5	295.5	475	366	547	438	616	507	756	648		
	9	380	257			306	183	376	253.5	446	324	518	396	587	465	728	605	869	746
	10	422	286			277	141	347.5	211.5	418	282	490	354	559	422	699	563	840	704
	11	464	315							389	239	461	311	530	380	671	521	811	662
12	507	343							361	197	432	269	501	338	642	479	783	619	
EPS190	5	349	232	448	332	675	559												
	6	418	278	402	262	629	489	742.5	602.5	856	716	972	832						
	7	488	325	356	192	582	419	695.5	532.5	809	646	925	762	1036	873				
	8	558	371	309	123	536	350	649.5	463	763	576	879	692	990	803	1217	1030		
	9	627	418			490	280	603.5	393.5	717	507	833	623	943	733	1170	960	1397	1187
	10	697	464			443	210	556.5	323.5	670	437	786	553	897	664	1124	891	1351	1117
	11	767	510							624	367	740	483	851	594	1077	821	1304	1048
12	837	557							577	297	693	414	804	524	1031	751	1258	978	
EPS210	5	467	297	638	468	950	780												
	6	560	356	579	375	891	687	1046.5	842.5	1202	998	1362	1158						
	7	654	416	519	282	831	593	987	749	1143	905	1302	1065	1455	1217				
	8	747	475	460	188	772	500	927.5	656	1083	812	1243	971	1395	1123	1707	1435		
	9	840	535			712	407	868	562.5	1024	718	1184	878	1336	1030	1647	1342	1959	1653
	10	934	594			653	313	809	469	965	625	1124	785	1276	937	1588	1248	1900	1560
	11	1027	653							905	532	1065	691	1217	843	1529	1155	1840	1467
12	1121	713							846	438	1006	598	1158	750	1469	1062	1781	1373	
EPS240	5	797	448	1018	668	1506	1157												
	6	957	538	928	509	1417	998	1661	1242	1905	1486	2156	1737						
	7	1116	627	839	350	1327	838	1571.5	1082.5	1816	1327	2066	1577	2304	1815				
	8	1276	717	749	190	1238	679	1482	923	1726	1167	1977	1418	2215	1656	2703	2144		
	9	1435	806			1148	519	1392.5	763.5	1637	1008	1887	1258	2125	1496	2614	1985	3102	2473
	10	1595	896			1058	360	1302.5	604	1547	848	1797	1099	2036	1337	2524	1825	3013	2314
	11	1754	985							1457	689	1708	940	1946	1177	2435	1666	2923	2155
12	1914	1075							1368	529	1618	780	1856	1018	2345	1507	2834	1995	
EPS270	5	1037	540	1522	1024	2209	1711												
	6	1245	648	1414	816	2101	1503	2444.5	1846.5	2788	2190	3140	2543						
	7	1452	756	1306	609	1993	1296	2336.5	1639.5	2680	1983	3032	2335	3367	2670				
	8	1660	864	1198	401	1885	1088	2228.5	1431.5	2572	1775	2924	2128	3259	2463	3946	3150		
	9	1867	971			1777	881	2120.5	1224.5	2464	1568	2816	1921	3151	2255	3838	2942	4525	3629
	10	2075	1079			1669	673	2012.5	1017	2356	1361	2708	1713	3043	2048	3730	2735	4417	3422
	11	2282	1187							2248	1153	2600	1506	2935	1840	3622	2527	4309	3214
12	2490	1295							2140	946	2492	1299	2827	1633	3514	2320	4201	3007	
EPS300	5	1329	821	1724	1216	2572	2064												
	6	1594	985	1560	950	2408	1798	2832	2222.5	3256	2647	3691	3082						
	7	1860	1149	1396	685	2244	1533	2668	1957	3092	2381	3527	2816	3940	3229				
	8	2126	1313	1231	419	2080	1267	2504	1691	2928	2115	3363	2551	3776	2963	4624	3812		
	9	2392	1477			1915	1001	2339.5	1425	2764	1849	3199	2285	3612	2698	4460	3546	5308	4394
	10	2657	1642			1751	736	2175.5	1160	2600	1584	3035	2019	3448	2432	4296	3280	5144	4128
	11	2923	1806							2435	1318	2871	1754	3284	2166	4132	3014	4980	3863
12	3189	1970							2271	1052	2707	1488	3119	1901	3968	2749	4816	3597	
EPS350	5	1925	1204	2606	1885	3876	3155												
	6	2310	1445	2365	1500	3635	2770	4270	3405	4905	4040	5556	4691						
	7	2695	1686	2124	1115	3394	2385	4029	3020	4664	3655	5315	4306	5934	4925				
	8	3080	1927	1883	730	3153	2000	3788	2635	4423	3270	5075	3922	5693	4540	6963	5810		
	9	3465	2168			2912	1615	3547	2250	4182	2885	4834	3537	5452	4155	6722	5425	7992	6695
	10	3850	2408			2672	1230	3307	1865	3942	2500	4593	3152	5212	3769	6482	5039	7752	6309
	11	4235	2649							3701	2114	4353	2767	4971	3384	6241	4654	7511	5924
12	4621	2890							3460	1729	4112	2383	4730	2999	6000	4269	7270	5539	
EPS400	5	2711	1828	3601	2718	5411	4527												
	6	3253	2193	3235	2176	5045	3985	5950	4890	6855	5795	7804	6724						
	7	3795	2559	2870	1634	4679	3443	5584	4348	6489	5253	7442	6182	8299	7062				
	8	4337	2924	2504	1091	4314	2901	5218.5	3806	6123	4711	7081	5640	7933	6520	9743	8330		
	9	4879	3290			3948	2359	4853	3263.5	5758	4168	6719	5098	7567	5978	9377	7787	11187	9597
	10	5422	3655			3583	1817	4487.5	2721.5	5392	3626	6357	4556	7202	5436	9011	7245	10821	9055
	11	5964	4021							5027	3084	5996	4014	6836	4894	8646	6703	10455	8513
12	6506	4387							4661	2542	5634	3473	6471	4351	8280	6161	10090	7971	