

AirROC T25 and D40

Simple and sturdy Surface drill rigs





Reliable company

AirROC T25 and AirROC D40 are the crawler mounted pneumatic drilling rigs powered by air compressor.

The rigs are kinds of efficient and cost effective drilling rigs designed for quarries, open-pit mining and construction. Quick interchangeability between the drilling methods is added

as one of the merits, which is not possible on normal rigs. The hole range is from 35 mm – 115 mm diameter.

⊕ Main benefits

Application compatibility due to interchangeability between topammer and Down-The-Hole (DTH)

Toe-hole drilling option by quick re-pinning

Optimized air consumption by rock drill BBC 120 means low fuel consumed

Simple and sturdy

AirROC T25 and AirROC D40 are the ideal 'Compact Solution' drill rigs. High operational efficiency from the rig is achievable with its easy handling and interchangeable features. The machines are compact enough for convenient transportation over long distances. They are most suitable for blast-hole production drilling in quarries, open-pit mining and construction work.



+ Easy to maneuver – high traction

AirROC T25 and AirROC D40 are one-man operated machines. They maneuver rough terrain with ease, operating smoothly, thanks to its two independent hydraulic motors and dynamic braking system. High ground clearance (295 mm) and hydraulic track oscillation (± 12 degrees) saves operational time for tramming and drilling over uneven terrain.



+ Quick interchangeability

Conversion kits for AirROC T25 and AirROC D40 offer quick interchangeability between the drilling methods from Down-The-Hole (DTH) to tophammer and vice versa. Toe-hole drilling is possible with a simple re-pinning operation.



+ Exact positioning and easy to maintain

The well positioned, manual type swing control panel allows the operator to see the hole clearly and position the rig with precision. The design of the machine is simple. Main components are conveniently accessible for service and maintenance, when required.

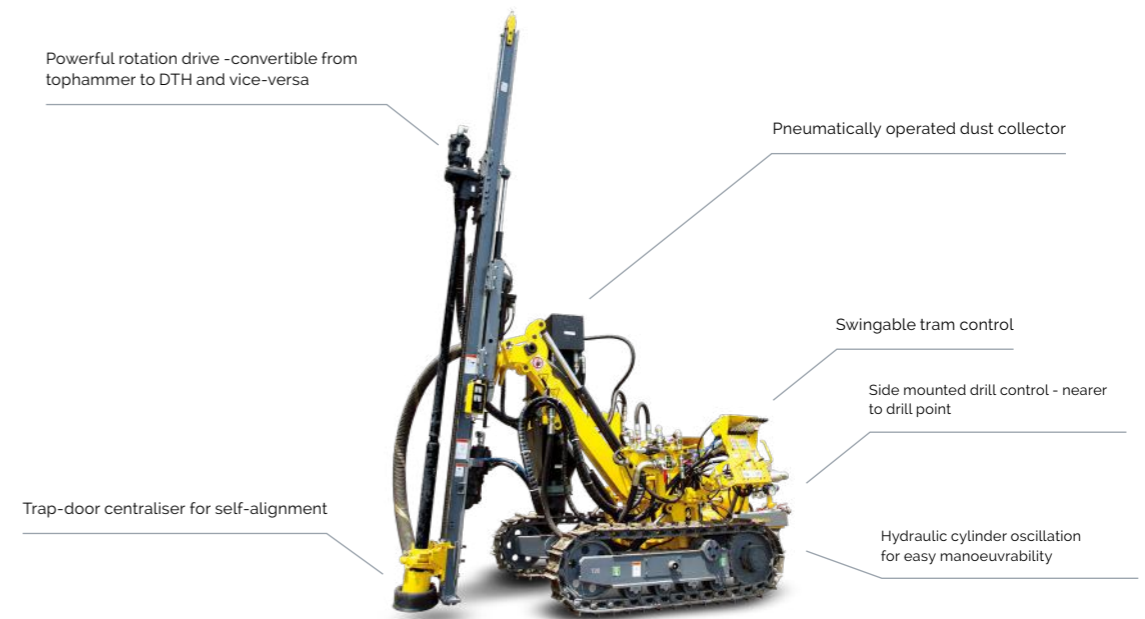
A comprehensive service offering

Even the best equipment needs to be serviced regularly to make sure it sustains peak performance. An Epiroc service solution offers peace of mind, maximizing availability and performance throughout the lifetime of your equipment. We focus on safety, productivity and reliability.

By combining genuine parts and an Epiroc service from our certified technicians, we safeguard your productivity – wherever you are.



Technical specifications



Main components

- Wire mesh secured compressor hose air inlet (only with CE-prepared units)
- Pneumatic operated chain feed
- Pneumatic operated hydraulic power pack
- Feed extension
- Hydraulic powered traction motors
- Feed repinning for toe hole drilling
- 200 mm wide track chains with cleaning holes
- Manual drill steel support
- Hydraulic track oscillation
- Side mounted fixed drilling control panel
- De-clutching crawler drive mechanism
- Swing arm control panel for tramming, boom and feed positioning
- Towing hook
- Extra air outlet for cleaning or running air tools (e.g. grinding equipment)
- 7 bar and 12 bar air line and oil lubrication systems
- Documentation box
- Air line water separator
- Tool box
- Standard boom system

Quick facts

Main application:	Construction, Quarries, Open-pit mining
Drilling method	Down the hole, Tophammer
DTH hammer	QL 40
Rock drill	BBC 120
Drill steel	DTH 32 mm and 38 mm. Tophammer 2 mm and 38 mm
Hole diameter	DTH 76 m. Tophammer 64 - 102 mm
Maximum hole depth	DTH 29.4 m. Tophammer 15 m

Carrier

	Metric	US
Tramming speed, max	3.2 km/h	2.0 mph
Traction force, max	16.5 kN	3 709 lbf
Track oscillation	$\pm 12^\circ$	$\pm 12^\circ$
Ground clearance	295 mm	11.6'
Hill climbing ability 20 deg max. (w/o compressor)		

Volumes

	Metric	US
Hydraulic oil tank	80 l	21 gal
Hydraulic system, total	85 l	22.5 gal
Traction gear	0.25 l	0.07 gal
Lubrication tank (HECL)	12 l	3.2 gal

All performance parameters above are valid for 6 bar air pressure

Hole range

Drill Rig	Pipe size		Recommended hole range	
	Metric	US	Metric	US
AirROC T25	32, 38 mm	1 ¼', 1 ½'	35-64 mm	1 ½' - 2 ½'
AirROC D40	76 mm	3'	85-115 mm	3 ½' - 4 ½'

Steel feed

	Metric	US
AirROC T25 – Pneumatic-driven chain feed		
Feed extension	800 mm	31.5'
Feed rate, max	0.30 m/s	59.0 ft/min
Feed force, max	8 kN	1 798 lbf
Tractive pull, max	5 kN	1 124 lbf
Total length	5 450 mm	214.6'
Travel length	3 940 mm	155'
AirROC D40 – Pneumatic-driven chain feed		
Feed extension	800 mm	31.5'
Feed rate, max	0.30 m/s	59.0 ft/min
Feed force, max	8 kN	1 798 lbf
Tractive pull, max	5 kN	1 124 lbf
Total length	5 450 mm	214.6'
Travel length	4 009 mm	157.8'

Air consumption and compressor recommendation

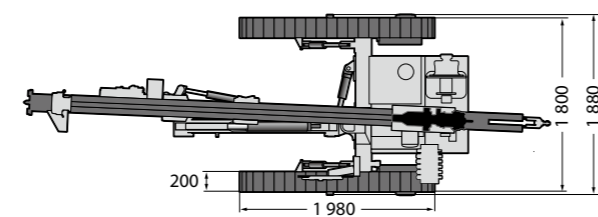
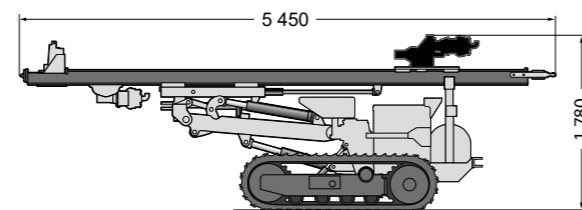
Component	Production country	Operating pressure (bar)	Air consumption (l/sec)	AirROC T25		AirROC D40		
Tophammer								
BBC 120	India	6	175	175	175			
Flushing								
Drill steel R32		6	40	40				
Drill steel T38		6	70		70			
DTH hammers								
COP 32	Sweden	10.5	77			70		
COP 34	Sweden	10.5	85			85		
QL 40	USA/India	10.5	116				116	
COP 44	Sweden	10.5	115				115	
Chain feed								
BMM 35K157-01	India	6	10	10	10			
BMM 35K257-01	India	6	10			10	10	
BMM 35K859-01	India	6	10					
Rotation unit	India	6	40			40	40	
Total air consumption excl. DCT				225	255	127	135	166
Compressor recommendation								
XAMS 286/606 (Mercedes/CAT)		8.6	283	x	x			
XAHS 146 (Deutz)		12	141			x		
XAHS 186 (Deutz)		12	175			x	(x)	
XAS 280 (Cummins)		7	270	x	x			
XAH 210 (Cummins)		10	210			x	x	
Dust collector								
DCT 60	India	6	25	25	25			
DCT 140E	India	6	65			65	65	
Total air consumption excl. DCT				250	280	192	200	231
Compressor recommendation								
XAMS 286/606 (Mercedes/CAT)		8.6	283	x	(x)			
XAHS 756 (CAT)		7	353		x			
XAHS 236/506 (Mercedes/CAT)		12	235			x	x	
XAHS 306/676 (Mercedes/CAT)		12	317/320				x	
XAH 210 (Cummins)		10	210			x	(x)	
XA 280 (Cummins)		7	270	x	(x)		(x)	

Selection of options

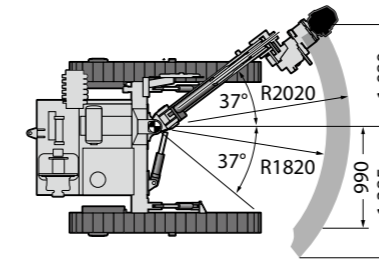
- Mechanical hole inclination instrument, type ROC ANGIE
- Water injection system with pneumatic pump
- Dust collector DCT 60 with rubber dust outlet for AirROC T25 - supplied with dust collection.
- Dust collector DCT 140 E with rubber dust outlet for AirROC D40 - supplied with dust collection.
- Water mist flushing system with pressurised tank

Transport dimensions

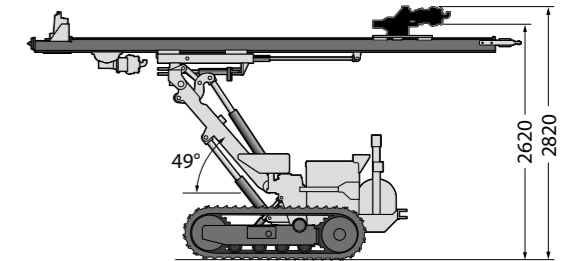
Tramming position	Metric	US
Height	1780 mm	70"
Length	5450 mm	215'
Transportation position		
Height	1780 mm	70"
Length	5450 mm	215'
Width	1880 mm	74"
Weight		
Standard unit excluding all options and drill steel		
AirROC T25	2480 kg	5467 lb
AirROC D40	2515 kg	5545 lb



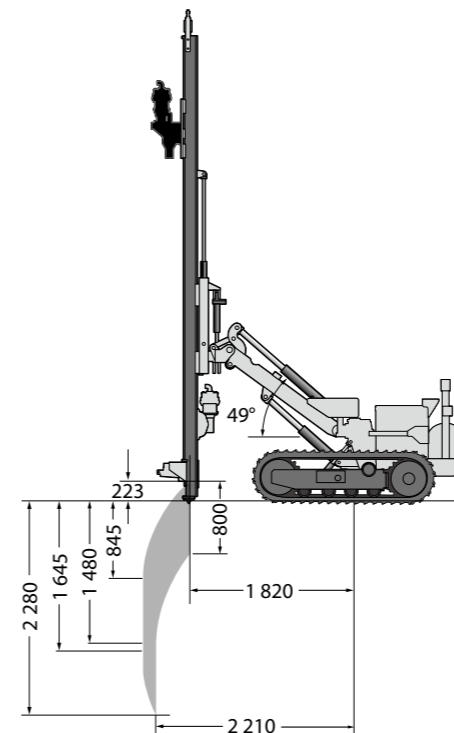
Transport position



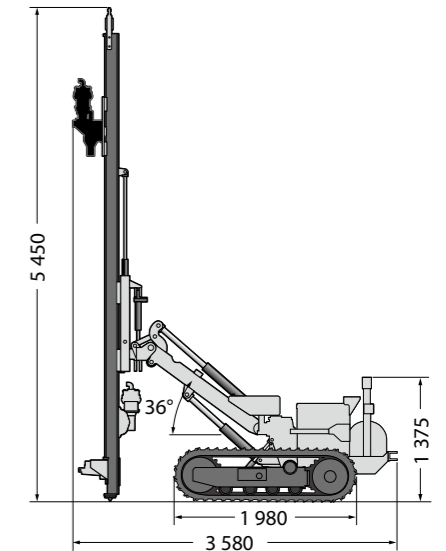
Horizontal reach (mm)



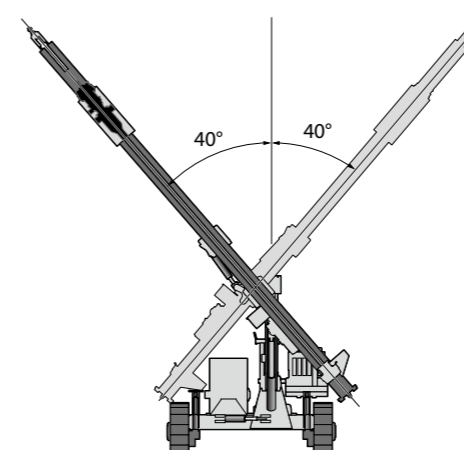
Maximum horizontal reach (mm)



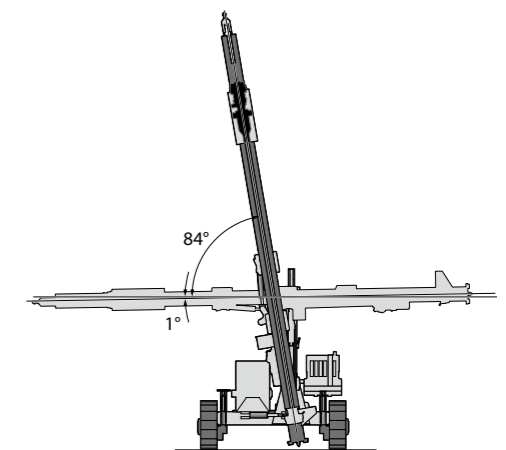
Vertical coverage area (mm)



Vertical on ground



Factory setup



Toe hole drilling

United in performance. Inspired by innovation.

Performance unites us, innovation inspires us, and commitment drives us to keep moving forward. Count on Epiroc to deliver the solutions you need to succeed today and the technology to lead tomorrow.
epiroc.com

